



PARTS CATALOGUE



MDNM6



MDRNP1

XP560D (BTL2) MALAYSIA

XP560D
PARTS CATALOGUE
©2023 by Yamaha Motor Co., Ltd.
1st edition, November 2023
All rights reserved.
Any reprinting or unauthorized use
without the written permission of
Yamaha Motor Co., Ltd.
is expressly prohibited.
Printed in Japan.

FOREWORD

This Parts Catalogue is related to the parts for the model(s) on the cover page. When you are ordering replacement parts, please refer to this Parts Catalogue and quote both part numbers and part names correctly.

1. Modifications or additions which have been made after the issue of the Parts Catalogue will be announced in the Parts News.
It is advisable that you make the necessary corrections to the Parts Catalogue according to the Parts News.

2. Abbreviations

The following abbreviations are used in this Parts Catalogue.

“UR” Use specified parts number.

“UN” Use as many as needed.

“AP” Alternate Parts

“LM” Locally Made (Parts need to be ordered locally)

“F#” Frame No. (Applicable machine No.)

“O/S” Over Size

3. The number of components for assembly

- Parts, which are to be supplied in an assembly, are listed with a dot (.) in front of the part name as shown below.
- The numeral appearing to the right of each component part indicates the quantity of parts for each assembly unit.

PART NO.	DESCRIPTION	Q'TY	REMARKS
2F5-83310-60	FRONT FLASHER LIGHT ASSY	2	
115-83311-60	.BULB (6V-18W)	1	

4. Applicable colours of graphics are represented in the “REMARKS” as shown below.

PART NO.	DESCRIPTION	Q'TY	REMARKS
2N4-24110-00-X5	FUEL TANK COMP.	2	MXR
3J1-24240-10	.GRAPHIC, FUEL TANK	1	FOR MXR

5. Note that the illustrations for reference in finding parts numbers are not to be used for assembling. When assembling, please use the applicable service manual.

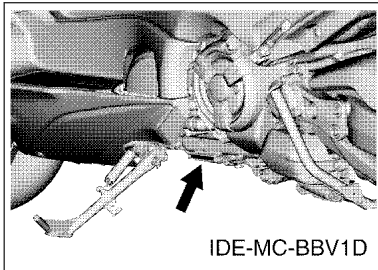
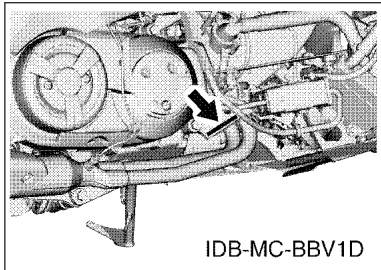
6. The asterisk (*) before a reference number indicates modified items after the first edition.

FOREWORD

7. Applicable Serial No.

Frame Serial No.

Engine Serial No.



8. Applicable Colour Code (The (*) mark shows Model colour.)

Abbreviation	Colour Name	Colour Code
DNMN	DARK GRAY METALLIC N	1366
LGB	LOW GLOSS BLACK	0098
MDNM6(*)	MAT DARK GRAY METALLIC 6	1579
MDRNP1(*)	MAT DARK REDDISH GRAY PEARL 1	1892
SMX	BLACK METALLIC X	0903

9. Applicable Starting Serial No.

Frame Serial No.

Serial No.	Name Of Q'ty Column	Model Code

Engine Serial No.

Serial No.	Name Of Q'ty Column	Model Code

CONTENTS

PERIODIC MAINTENANCE PARTS.....	1
---------------------------------	---

ENGINE

CYLINDER.....	2
CRANKSHAFT & PISTON.....	3
VALVE.....	5
CAMSHAFT & CHAIN.....	7
WATER PUMP.....	8
RADIATOR & HOSE.....	9
OIL PUMP.....	11
INTAKE.....	12
INTAKE 2.....	13
EXHAUST.....	14
CRANKCASE.....	16
CRANKCASE COVER 1.....	17
CRANKCASE COVER 2.....	18
STARTER.....	20
CLUTCH.....	21
CLUTCH 2.....	22
TRANSMISSION.....	24

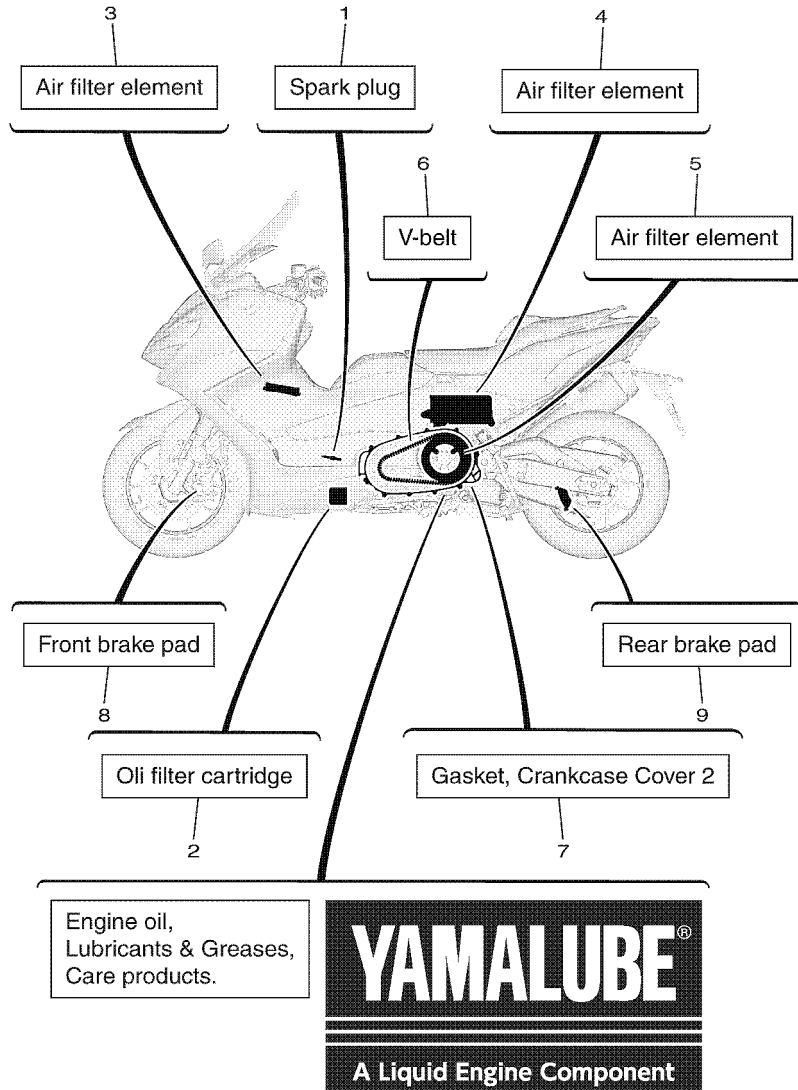
CHASSIS

FRAME.....	25
FENDER.....	27
SIDE COVER.....	28
SIDE COVER 2.....	31
REAR ARM & SUSPENSION.....	32
STEERING.....	35
FRONT FORK.....	36
FUEL TANK.....	38
SEAT.....	40
SEAT 2.....	41
FRONT WHEEL.....	43
FRONT BRAKE CALIPER.....	44
REAR WHEEL.....	45
REAR BRAKE CALIPER.....	46
STEERING HANDLE & CABLE.....	48
FRONT MASTER CYLINDER.....	49
STAND & FOOTREST.....	51
STAND & FOOTREST 2.....	53

LEG SHIELD.....	55
WINDSHIELD.....	57
GENERATOR.....	60
METER.....	61
HEADLIGHT.....	62
TAILLIGHT.....	63
HANDLE SWITCH & LEVER.....	64
ELECTRICAL 1.....	65
ELECTRICAL 2.....	68
ELECTRICAL 3.....	69

INDEX

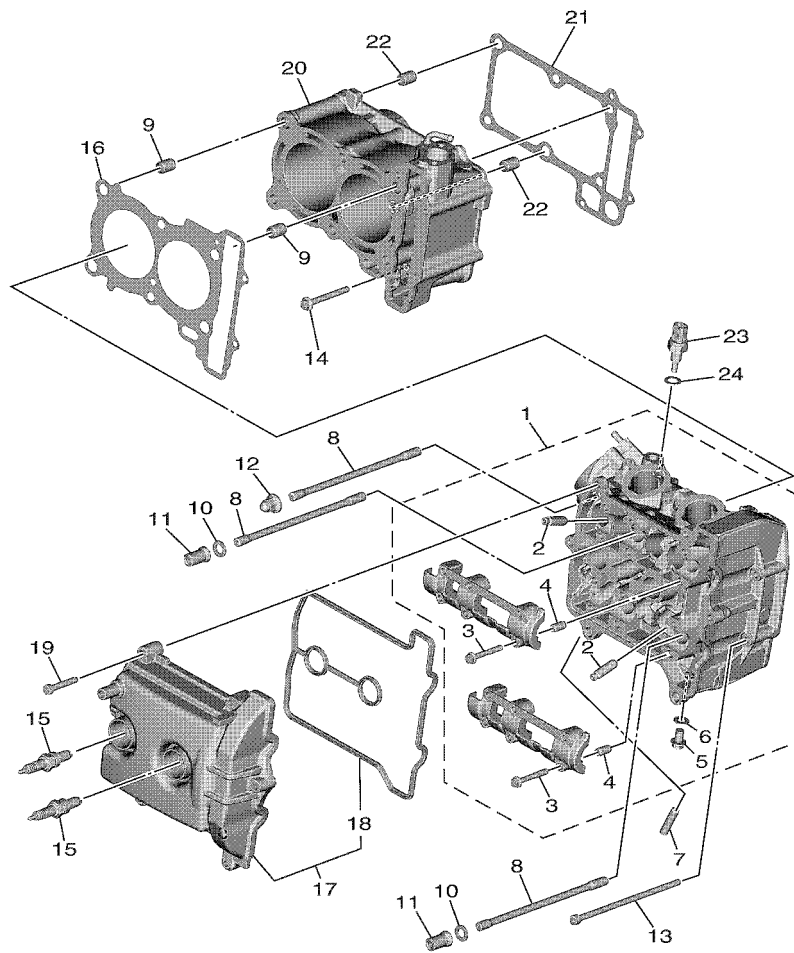
NUMERICAL INDEX.....	70
----------------------	----



BBV1300DX010

FIG. 1 PERIODIC MAINTENANCE PARTS

REF. NO.	PART NO.	DESCRIPTION	BTL2				REMARKS
1	94701-00443	PLUG, SPARK (NGK LMAR7G)	1				
2	5GH-13440-80	ELEMENT ASSY, OIL CLEANER	1				
3	B7M-14451-01	ELEMENT, AIR CLEANER	1				
4	BBW-15407-00	ELEMENT 1	1				
5	59C-15408-00	ELEMENT 2	1				
6	B7M-17641-10	V-BELT	1				
7	59C-15461-01	GASKET, CRANKCASE COVER 2	1				
8	4B5-25805-00	BRAKE PAD KIT	2				
9	59C-25806-00	BRAKE PAD KIT 2	1				



B7M1300DV010

FIG. 2 CYLINDER

REF. NO.	PART NO.	DESCRIPTION	BTL2				REMARKS
1	B7M-11101-09	CYLINDER HEAD ASSY	1				
2	5NL-11133-10	.GUIDE, VALVE 1	8				
3	90105-06027	.BOLT, FLANGE	12				
4	91808-16023	.PIN, DOWEL	2				
5	95E32-08012	.BOLT, FLANGE DEEP RECESS	1				
6	90430-08119	.GASKET	1				
7	95612-08618	BOLT, STUD	4				
8	90116-09584	BOLT, STUD	6				
9	93612-16254	PIN, DOWEL	2				
10	90201-090P4	WASHER, PLATE	4				
11	90179-09612	NUT	4				
12	90176-09001	NUT, CAP	2				
13	90110-06021	BOLT, HEXAGON SOCKET HEAD	2				
14	90110-06379	BOLT, HEXAGON SOCKET HEAD	1				
15	94701-00443	PLUG, SPARK (NGK LMAR7G)	2				
16	B7M-11181-00	GASKET, CYLINDER HEAD 1	1				
17	B7M-11190-01	COVER, CYLINDER HEAD 1	1				
18	B7M-11193-00	.GASKET, HEAD COVER 1	1				
19	91312-06035	BOLT, HEXAGON SOCKET HEAD	6				
20	B7M-11310-09	CYLINDER	1				
21	59C-11351-01	GASKET, CYLINDER	1				
22	93612-16254	PIN, DOWEL	2				
23	4P9-83591-00	THERMO UNIT	1				
24	90430-10004	GASKET	1				

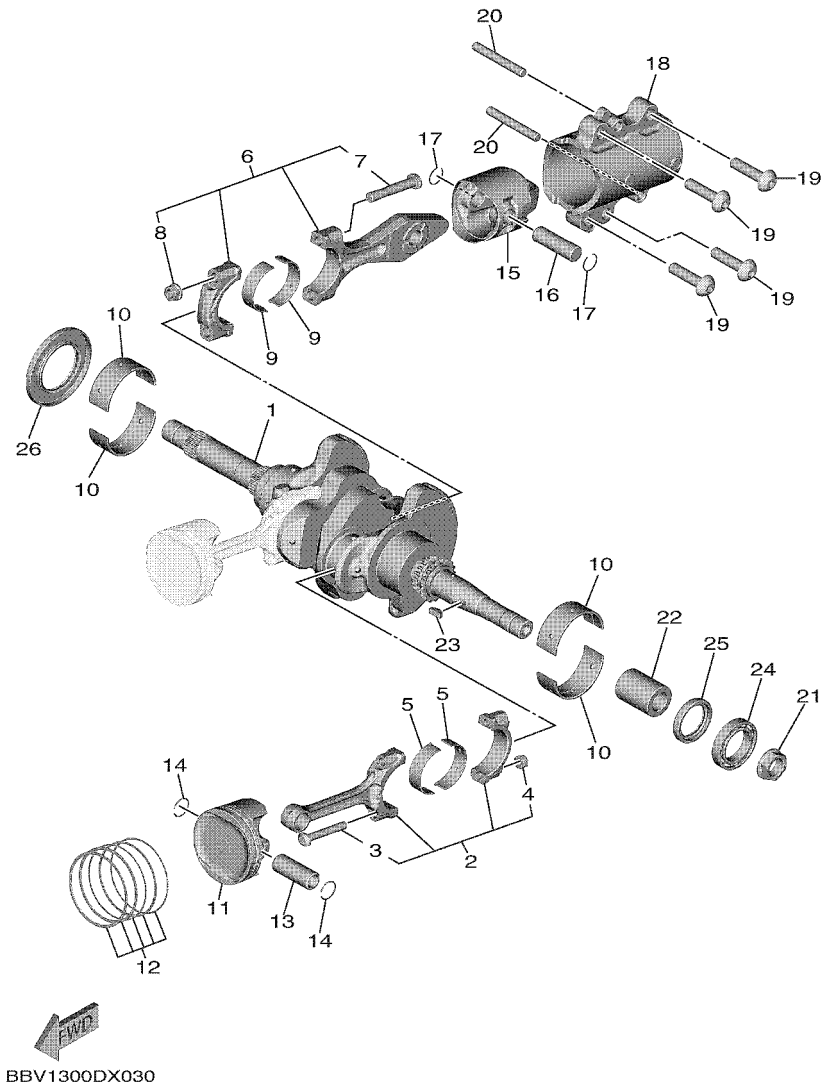


FIG. 3 CRANKSHAFT & PISTON

REF. NO.	PART NO.	DESCRIPTION	BTL2				REMARKS
1	B7M-11400-01	CRANKSHAFT ASSY	1				
2	B7M-11650-00	CONNECTING ROD ASSY	2				
3	5VU-11654-00	.BOLT, CONNECTING ROD	2				
4	90179-07652	.NUT	2				
5	BBW-11656-00	PLANE BEARING, CONNECTING ROD	4				UR BLUE
	BBW-11656-10	PLANE BEARING, CONNECTING ROD	4				UR BLACK
	BBW-11656-20	PLANE BEARING, CONNECTING ROD	4				UR BROWN
	BBW-11656-30	PLANE BEARING, CONNECTING ROD	4				UR GREEN
6	59C-11660-10	CONNECTING ROD ASSY	1				
7	4X7-11654-01	.BOLT, CONNECTING ROD	2				
8	90179-09379	.NUT	2				
9	BBW-11656-00	PLANE BEARING, CONNECTING ROD	2				UR BLUE
	BBW-11656-10	PLANE BEARING, CONNECTING ROD	2				UR BLACK
	BBW-11656-20	PLANE BEARING, CONNECTING ROD	2				UR BROWN
	BBW-11656-30	PLANE BEARING, CONNECTING ROD	2				UR GREEN
10	BBW-11416-01	PLANE BEARING, CRANKSHAFT 1	4				UR BLUE
	BBW-11416-11	PLANE BEARING, CRANKSHAFT 1	4				UR BLACK
	BBW-11416-21	PLANE BEARING, CRANKSHAFT 1	4				UR BROWN
	BBW-11416-31	PLANE BEARING, CRANKSHAFT 1	4				UR GREEN
	BBW-11416-41	PLANE BEARING, CRANKSHAFT 1	4				UR YELLOW
	BBW-11416-A1	PLANE BEARING, CRANKSHAFT 1	4				UR WHITE
11	B7M-11631-00	PISTON (STD)	2				
12	B7M-11603-01	PISTON RING SET (STD)	2				
13	B7M-11633-00	PIN, PISTON	2				
14	93450-18157	CIRCLIP	4				
15	BC3-11642-01-A0	PISTON 2 (STD)	1				
16	5GJ-11455-10	SHAFT 1	1				

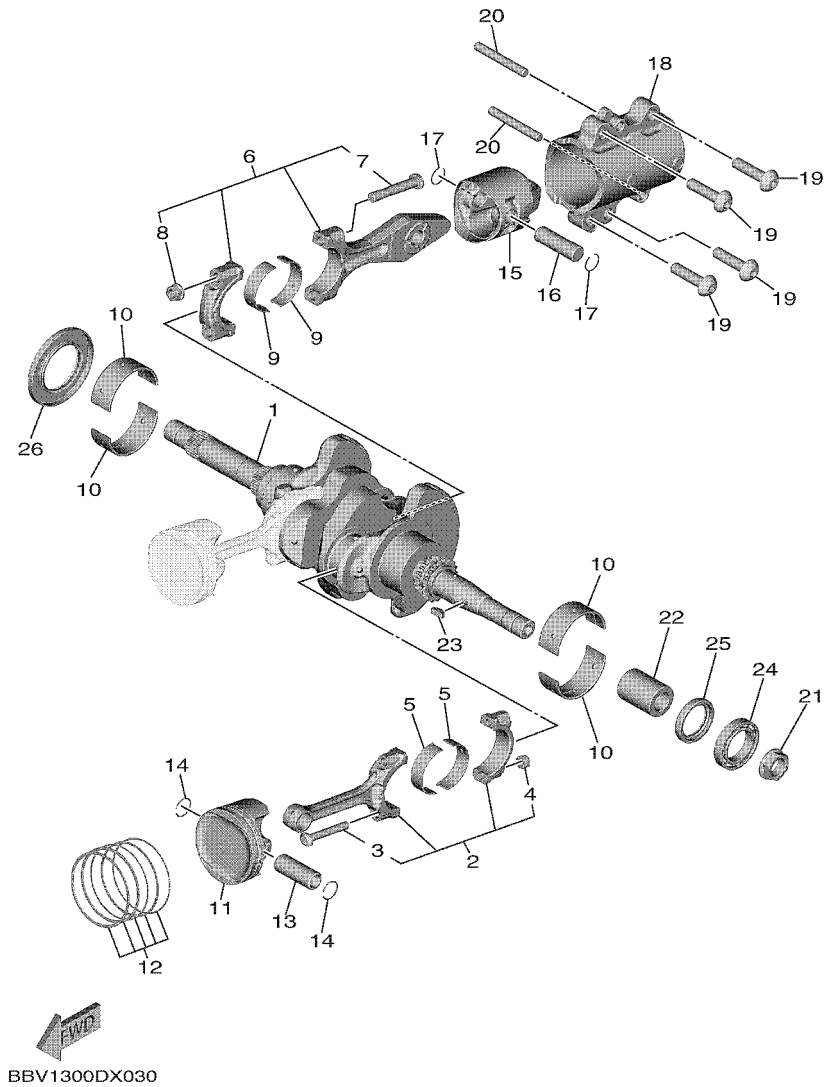
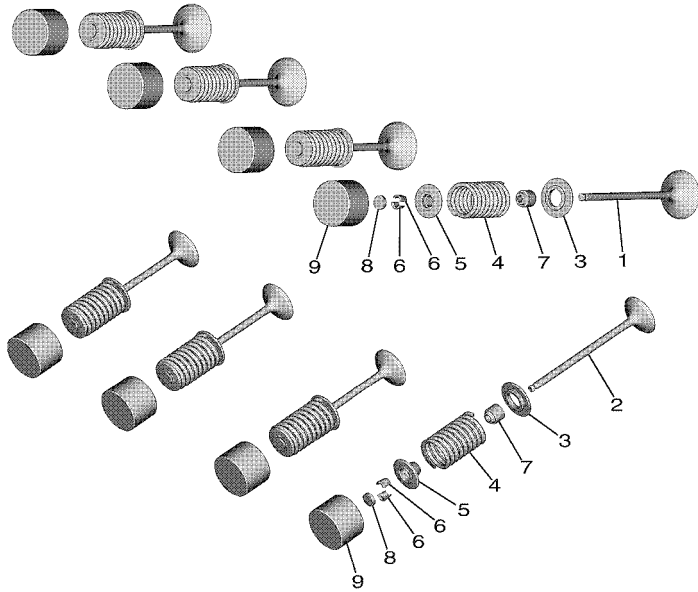


FIG. 3 CRANKSHAFT & PISTON

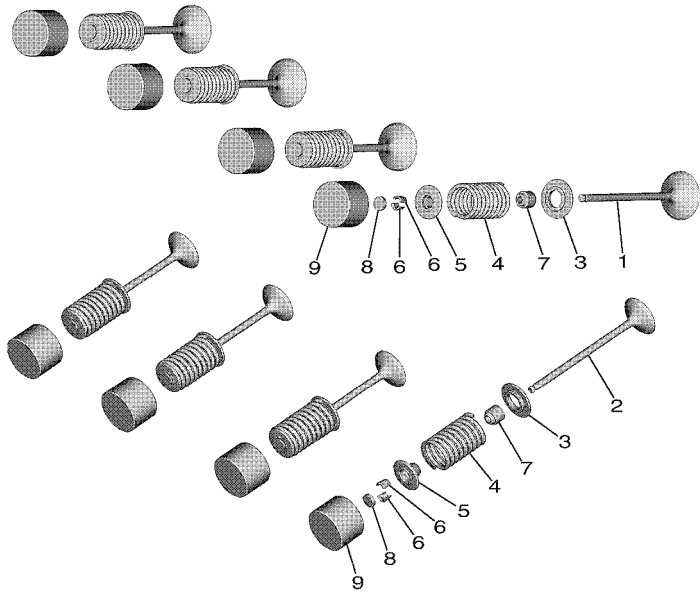
REF. NO.	PART NO.	DESCRIPTION	BTL2				REMARKS
17	93450-16068	CIRCLIP	2				
18	59C-11312-00	SLEEVE, CYLINDER	1				
19	90111-10026	BOLT, HEXAGON SOCKET BUTTON	4				
20	93608-60001	PIN, DOWEL	2				
21	BBW-13588-00	NUT	1				
22	BBW-11478-00	COLLAR	1				
23	90280-05048	KEY, WOODRUFF	1				
24	93306-90602	BEARING	1				
25	93101-30001	OIL SEAL	1				
26	93102-44008	OIL SEAL	1				



BC31300DS030

FIG. 4 VALVE

REF. NO.	PART NO.	DESCRIPTION	BTL2				REMARKS
1	B7M-12111-00	VALVE, INTAKE	4				
2	59C-12121-01	VALVE, EXHAUST	4				
3	8GC-12126-00	SEAT, VALVE SPRING 2	8				
4	59C-12113-00	SPRING, VALVE INNER	8				
5	3TJ-12117-00	RETAINER, VALVE SPRING	8				
6	1HX-12118-00	LOCK, VALVE SPRING RETAINER	16				
7	4TV-12119-00	SEAL, VALVE STEM	8				
8	1HX-12168-00	PAD, ADJUSTING 2 (1.20)	8				UR
	1HX-12168-20	PAD, ADJUSTING 2 (1.25)	8				UR
	1HX-12168-40	PAD, ADJUSTING 2 (1.30)	8				UR
	1HX-12168-60	PAD, ADJUSTING 2 (1.35)	8				UR
	1HX-12168-80	PAD, ADJUSTING 2 (1.40)	8				UR
	1HX-12168-A0	PAD, ADJUSTING 2 (1.45)	8				UR
	1HX-12168-F0	PAD, ADJUSTING 2 (1.50)	8				UR
	1HX-12168-H1	PAD, ADJUSTING 2 (1.55)	8				UR
	1HX-12168-K1	PAD, ADJUSTING 2 (1.60)	8				UR
	1HX-12168-M1	PAD, ADJUSTING 2 (1.65)	8				UR
	1HX-12168-R1	PAD, ADJUSTING 2 (1.70)	8				UR
	1HX-12168-U1	PAD, ADJUSTING 2 (1.75)	8				UR
	1HX-12168-W1	PAD, ADJUSTING 2 (1.80)	8				UR
	1HX-12168-Y1	PAD, ADJUSTING 2 (1.85)	8				UR
	1HX-12169-11	PAD, ADJUSTING 2 (1.90)	8				UR
	1HX-12169-31	PAD, ADJUSTING 2 (1.95)	8				UR
	1HX-12169-50	PAD, ADJUSTING 2 (2.00)	8				UR
	1HX-12169-70	PAD, ADJUSTING 2 (2.05)	8				UR
	1HX-12169-90	PAD, ADJUSTING 2 (2.10)	8				UR
	1HX-12169-E0	PAD, ADJUSTING 2 (2.15)	8				UR

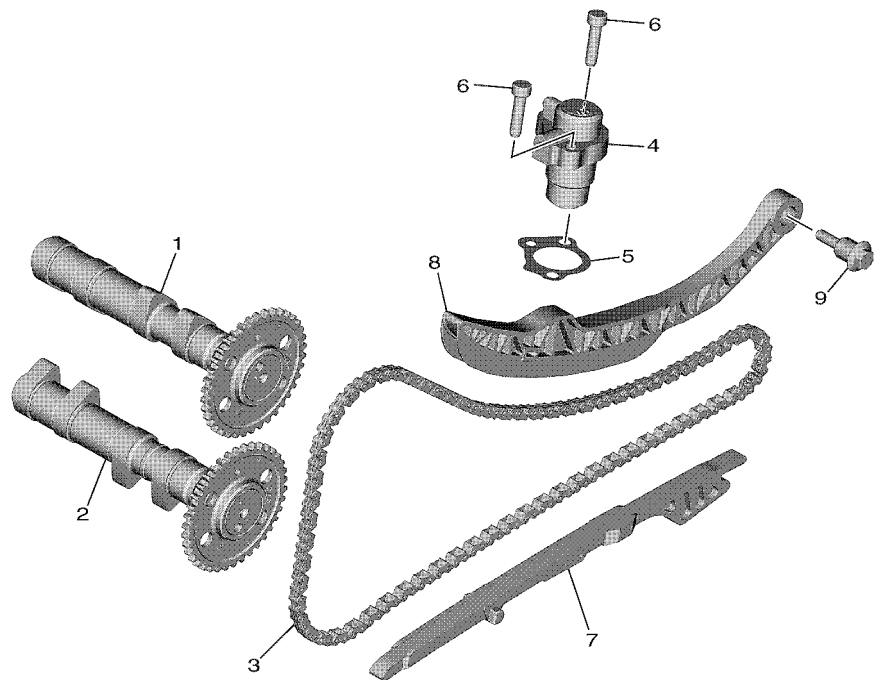



BC31300DS030

FIG. 4 VALVE

REF. NO.	PART NO.	DESCRIPTION	BTL2		REMARKS
8	1HX-12169-G0	PAD, ADJUSTING 2 (2.20)	8		UR
	1HX-12169-J0	PAD, ADJUSTING 2 (2.25)	8		UR
	1HX-12169-L0	PAD, ADJUSTING 2 (2.30)	8		UR
	1HX-12169-N0	PAD, ADJUSTING 2 (2.35)	8		UR
	1HX-12169-T0	PAD, ADJUSTING 2 (2.40)	8		UR
9	B7M-12153-10	LIFTER, VALVE	8		WHITE
	B7M-12153-09	LIFTER, VALVE (O/S)	8		AP ORANGE

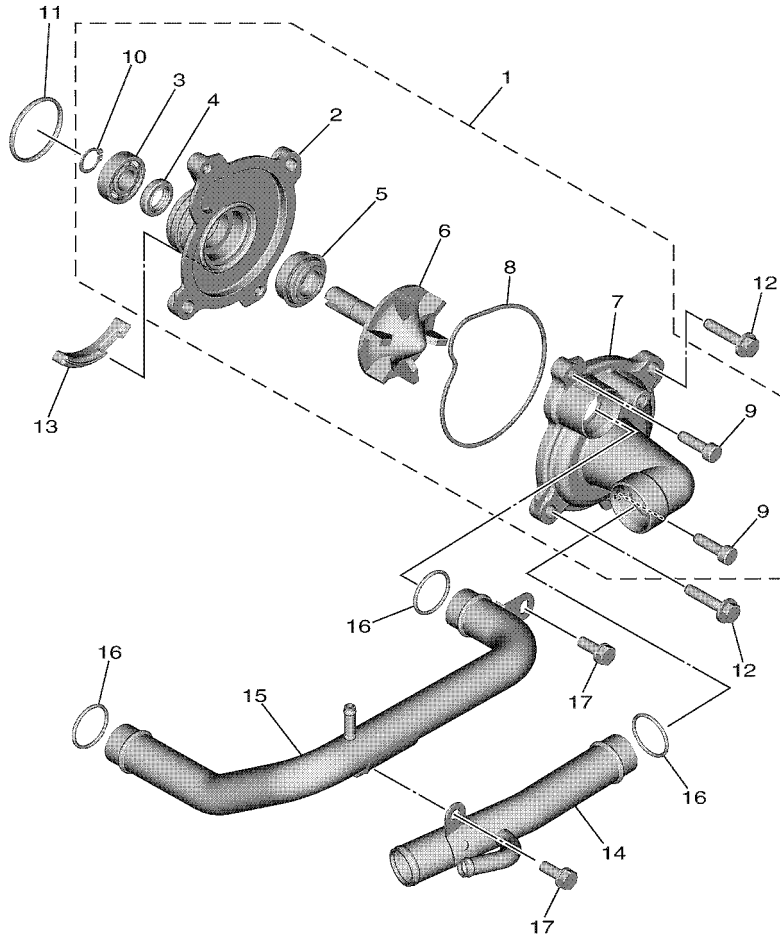
FIG. 5 CAMSHAFT & CHAIN




 B7M1300DV040

REF. NO.	PART NO.	DESCRIPTION	BTL2				REMARKS
1	B7M-12170-00	CAMSHAFT ASSY 1	1				
2	B7M-12180-00	CAMSHAFT ASSY 2	1				
3	94591-53134	CHAIN	1				
4	B7M-12210-01	TENSIONER ASSY, CAM CHAIN	1				
5	15B-12213-00	GASKET, TENSIONER CASE	1				
6	91312-06025	BOLT, HEXAGON SOCKET HEAD	2				
7	59C-12251-00	DAMPER, CHAIN 1	1				
8	B7M-12252-00	DAMPER, CHAIN 2	1				
9	90109-06295	BOLT	1				

FIG. 6 WATER PUMP



AWC
B7M1300DV050

REF. NO.	PART NO.	DESCRIPTION	BTL2				REMARKS
1	59C-12420-10	WATER PUMP ASSY	1				
2	5VU-12421-00	.HOUSING, WATER PUMP	1				
3	93306-00106	.BEARING	1				
4	93102-12442	.OIL SEAL	1				
5	5VK-12438-00	.SEAL, MECHANICAL	1				
6	20S-12450-00	.IMPELLER SHAFT ASSY	1				
7	5GJ-12422-02	.COVER, HOUSING	1				
8	1WG-12439-00	.O-RING	1				
9	91312-06020	.BOLT, HEXAGON SOCKET HEAD	2				
10	99009-12400	.CIRCLIP	1				
11	93210-33133	O-RING	1				
12	90119-06312	BOLT, WITH WASHER	2				
13	59C-12437-00	STOPPER	1				
14	B7M-12481-00	PIPE 1	1				
15	B7M-12482-00	PIPE 2	1				
16	93210-21190	O-RING	3				
17	90119-06270	BOLT, WITH WASHER	2				

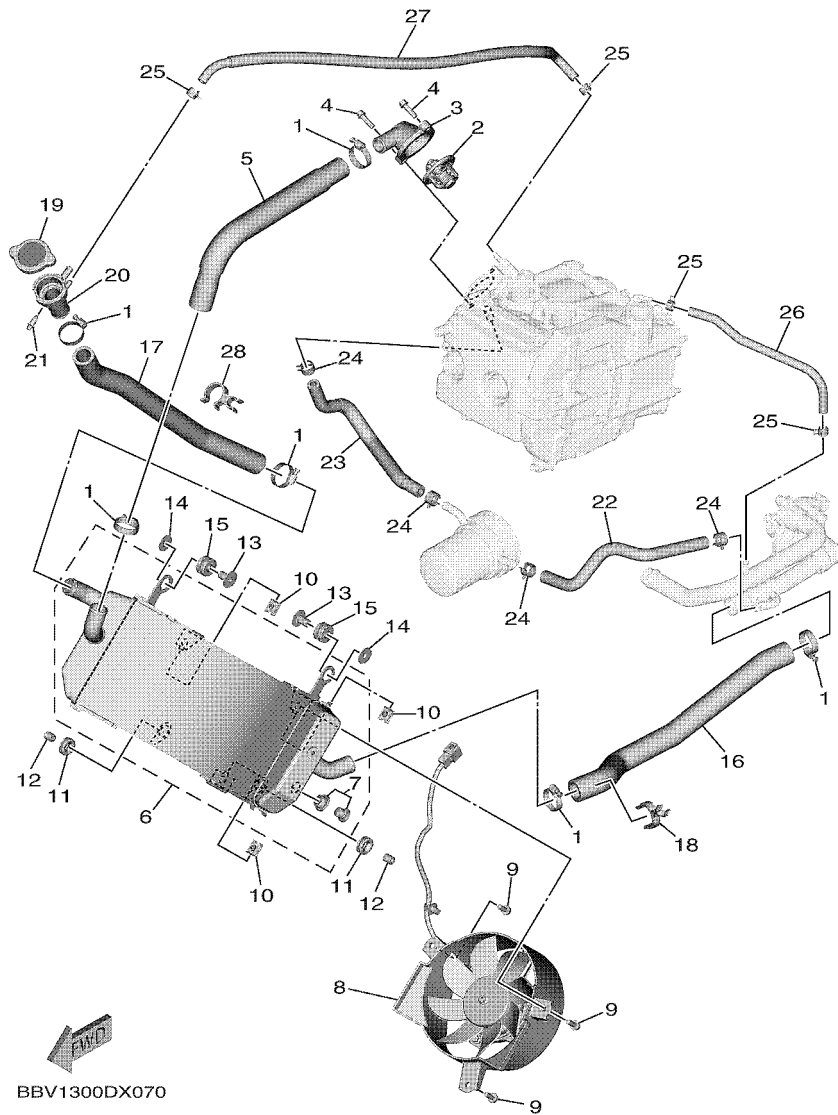
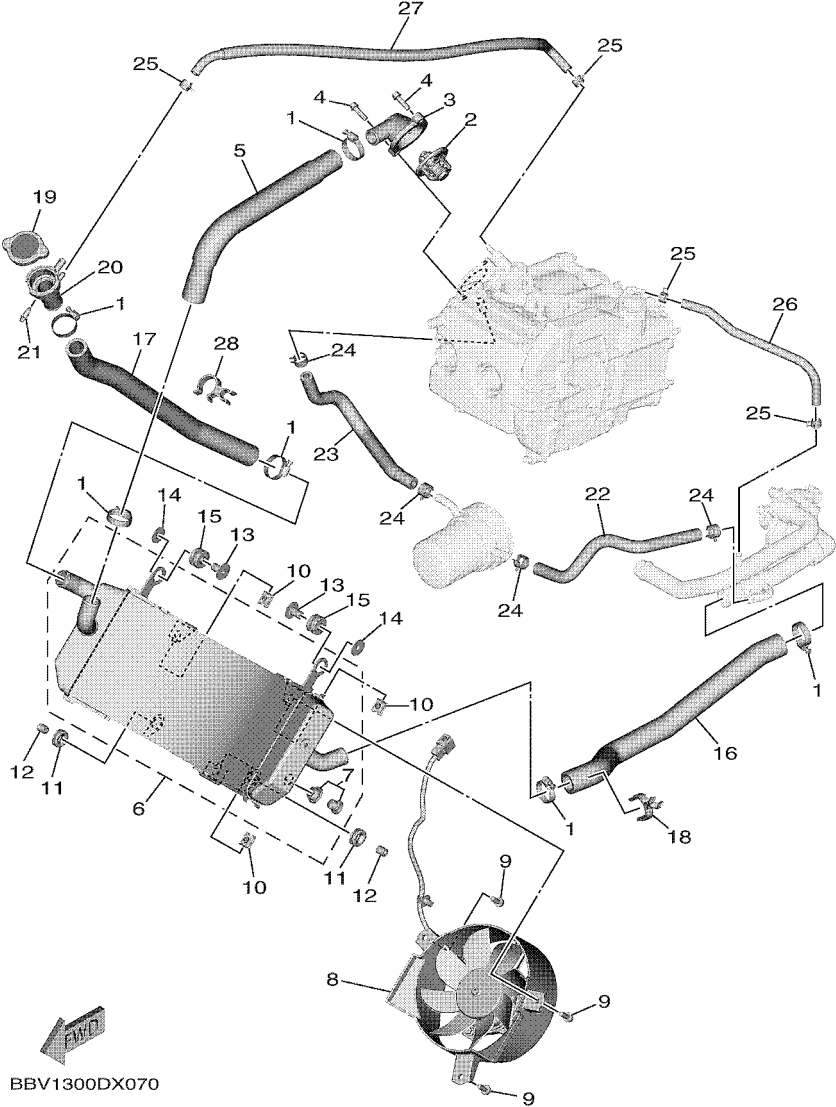


FIG. 7 RADIATOR & HOSE

REF. NO.	PART NO.	DESCRIPTION	BTL2				REMARKS
1	90450-32015	HOSE CLAMP ASSY	6				
2	1WS-12410-01	THERMOSTAT ASSY	1				
3	B7M-12413-00	COVER, THERMOSTAT	1				
4	95E32-06020	BOLT, FLANGE DEEP RECESS	2				
5	B7M-12483-00	PIPE 3	1				
6	BBW-12461-00	RADIATOR COMP	1				
7	5VU-12478-00	.COCK, DRAIN	1				
8	BC3-12405-00	BLOWER ASSY	1				
9	2S3-12675-00	BOLT, BLOWER HOLDING	3				
10	5SL-12671-00	NUT 1	3				
11	90480-16301	GROMMET	2				
12	90387-065L7	COLLAR	2				
13	90387-06065	COLLAR	2				
14	90201-06033	WASHER, PLATE	2				
15	90480-15363	GROMMET	2				
16	BC3-12476-00	PIPE 6	1				
17	BBW-12477-00	PIPE 7	1				
18	90464-28175	CLAMP	1				
19	5SL-12462-00	CAP, RADIATOR	1				
20	5GJ-12591-00	SUPT, FILLER NECK	1				
21	90269-07014	RIVET	1				
22	B7M-1243A-00	HOSE 1	1				
23	B7M-1243E-00	HOSE 2	1				
24	90467-15001	CLIP	4				
25	90467-10038	CLIP	4				
26	BC3-12589-00	HOSE 6	1				
27	BBW-12551-00	HOSE 7	1				

FIG. 7 RADIATOR & HOSE



BBV1300DX070

REF. NO.	PART NO.	DESCRIPTION	BTL2						REMARKS
28	90464-23001	CLAMP	1						

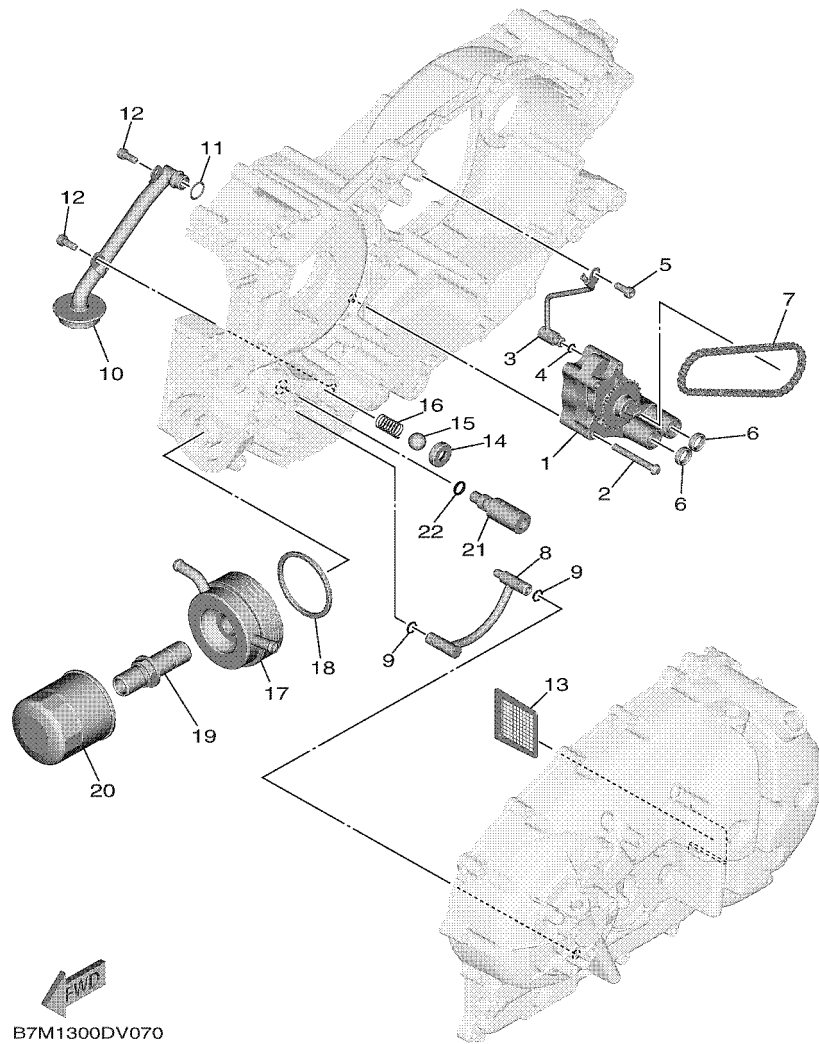
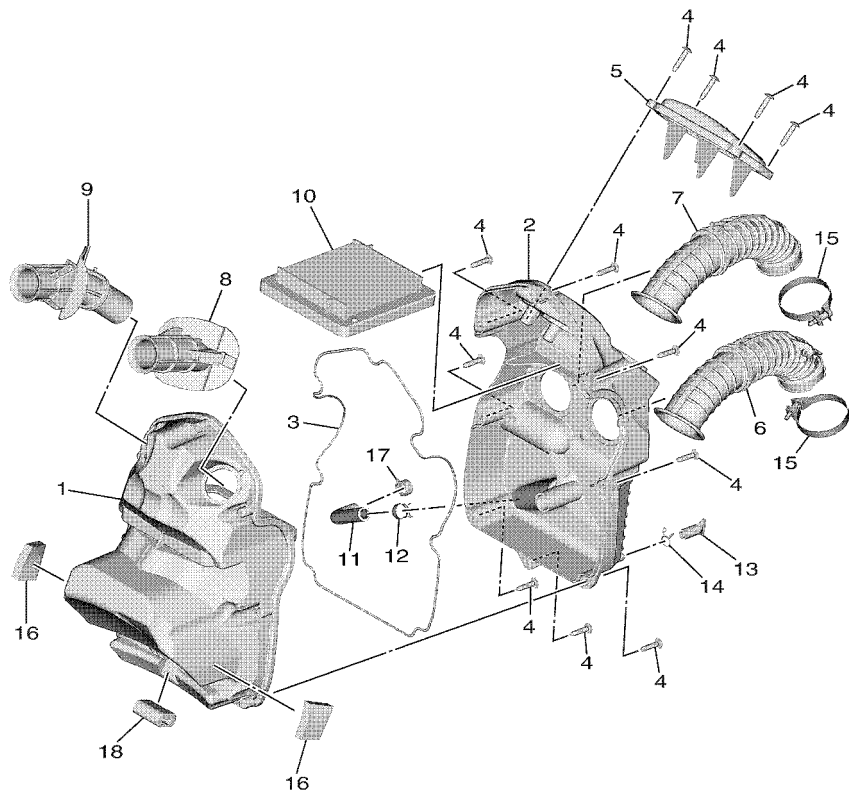


FIG. 8 OIL PUMP

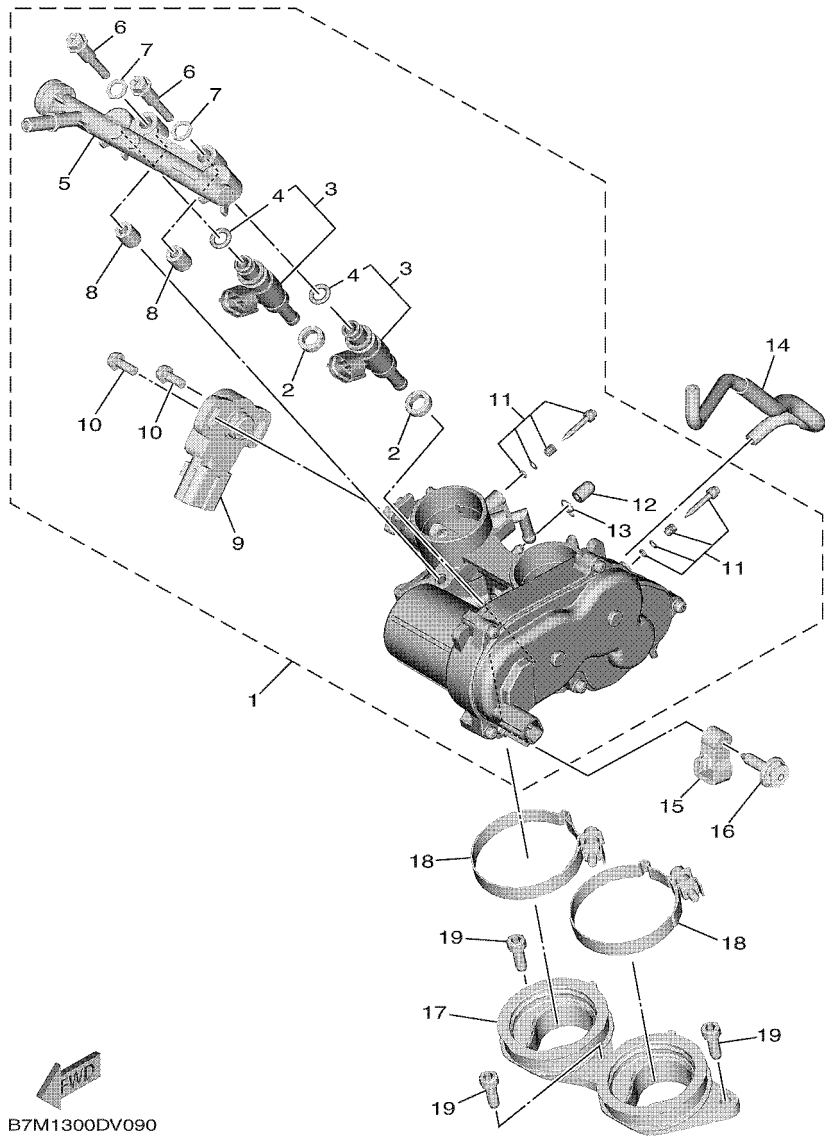
REF. NO.	PART NO.	DESCRIPTION	BTL2				REMARKS
1	59C-13300-01	OIL PUMP ASSY	1				
2	92012-06050	BOLT, BUTTON HEAD	3				
3	5GJ-13161-00	PIPE, DELIVERY 1	1				
4	93210-06422	O-RING	1				
5	90110-06168	BOLT, HEXAGON SOCKET HEAD	1				
6	5GJ-13475-00	GASKET	2				
7	94580-25058	CHAIN (DID25 58L)	1				
8	BBW-13405-00	OIL PIPE COMP. 1	1				
9	93210-09525	O-RING	2				
10	5GJ-13410-00	STRAINER HOUSING ASSY	1				
11	93210-14579	O-RING	1				
12	90110-06168	BOLT, HEXAGON SOCKET HEAD	2				
13	22F-13411-01	STRAINER, OIL	1				
14	3LD-13113-00	SEAT, CHECK BALL	1				
15	93505-08030	BALL	1				
16	90501-104F9	SPRING, COMPRESSION	1				
17	B7M-13470-00	OIL COOLER ASSY	1				
18	1XD-13475-00	GASKET	1				
19	BBW-12858-00	BOLT, UNION	1				
20	5GH-13440-80	ELEMENT ASSY, OIL CLEANER	1				
21	4G0-13490-01	RELIEF VALVE ASSY	1				
22	93210-10096	O-RING	1				

FIG. 9 INTAKE



← FWD
B7M1300DV080

REF. NO.	PART NO.	DESCRIPTION	BTL2				REMARKS
1	B7M-14411-01	CASE, AIR CLEANER 1	1				
2	B7M-14412-01	CAP, CLEANER CASE 1	1				
3	B7M-14452-00	SEAL	1				
4	90160-05013	SCREW, ROUND TAPPING	12				
5	B7M-1441A-02	COVER, CLEANER CASE 1	1				
6	B7M-14469-01	FUNNEL, AIR	1				
7	B7M-1446C-01	FUNNEL 2	1				
8	BC3-14437-01	DUCT	1				
9	BC3-1443A-01	DUCT	1				
10	B7M-14451-01	ELEMENT, AIR CLEANER	1				
11	B7M-11166-00	PIPE, BREATHER 1	1				
12	90467-15054	CLIP	1				
13	5XT-1443E-00	PIPE, DRAIN	1				
14	90467-11106	CLIP	1				
15	90450-46005	HOSE CLAMP ASSY	2				
16	90520-10036	DAMPER, PLATE	2				
17	90467-15001	CLIP	1				
18	B7M-14409-00	DAMPER	1				



B7M1300DV090

FIG. 10 INTAKE 2

REF. NO.	PART NO.	DESCRIPTION	BTL2				REMARKS
1	B7M-13750-04	THROTTLE BODY ASSY	1				
2	8FP-13556-00	.RUBBER, INJECTOR	2				
3	1WS-13761-00	.INJECTOR	2				
4	5PS-14147-00	.O-RING	1				
5	B7M-13938-00	.PIPE	1				
6	8HG-13573-00	.BOLT 1	2				
7	8GL-13571-00	.WASHER	2				
8	8HG-14534-00	.COLLAR	2				
9	B7M-85885-01	.THROTTLE SENSOR ASSY	1				
10	8CC-14216-10	.SCREW	2				
11	2C0-14105-00	.PILOT SCREW SET	2				
12	895-14169-00	.CAP	1				
13	8A7-14139-00	.CLIP, PIPE	1				
14	B7M-13542-00	HOSE, VACUUM SENSING 1	1				
15	B7M-14435-00	GROMMET	1				
16	90269-06010	RIVET	1				
17	B7M-13635-00	JOINT, INTAKE 1	1				
18	90450-56009	HOSE CLAMP ASSY	2				
19	91312-06016	BOLT, HEXAGON SOCKET HEAD	3				

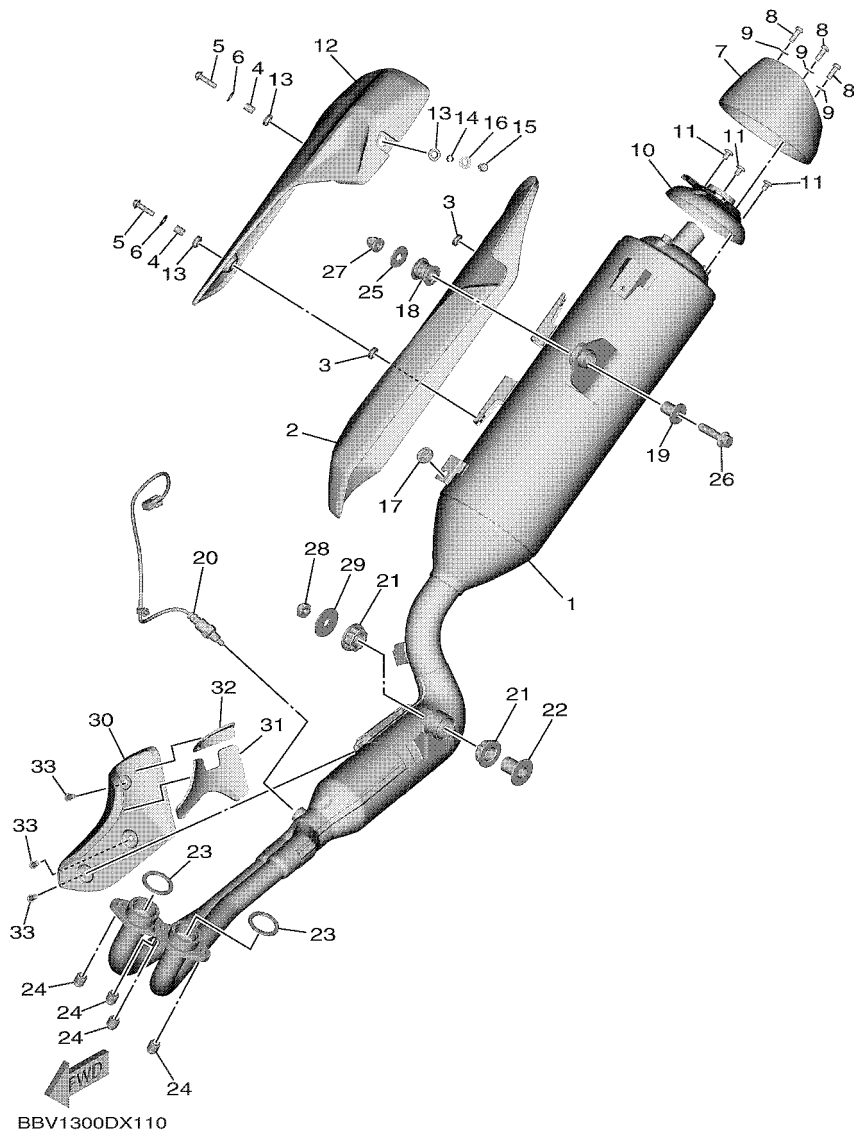
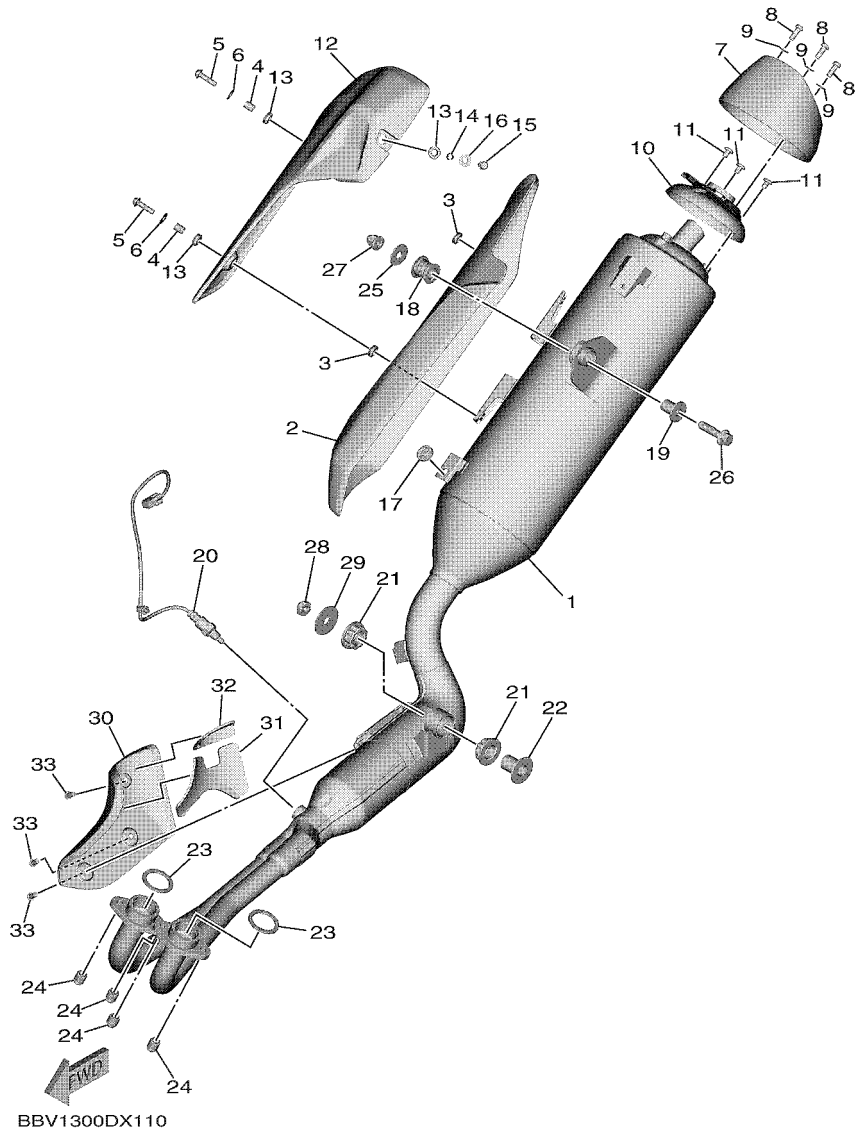


FIG. 11 EXHAUST

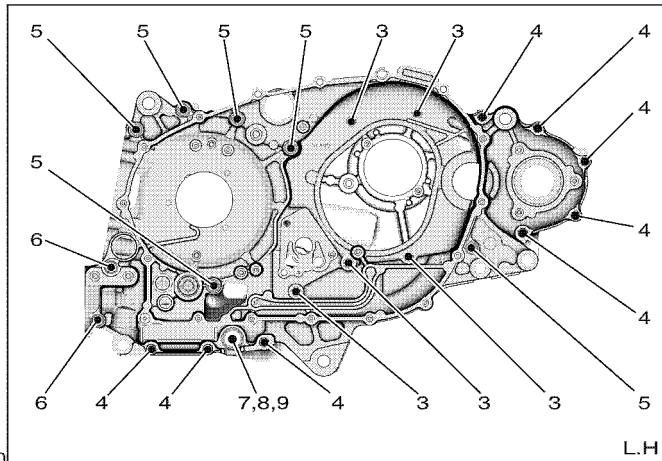
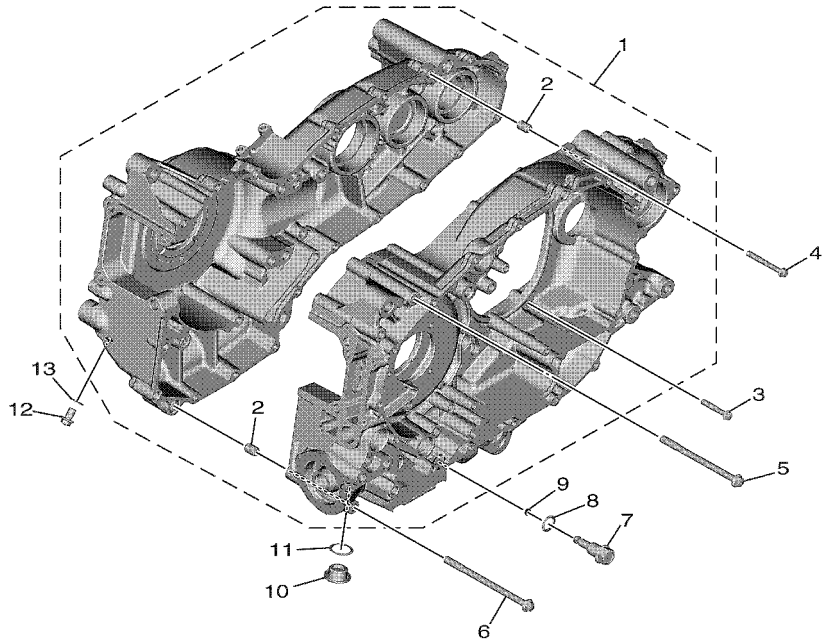
REF. NO.	PART NO.	DESCRIPTION	BTL2				REMARKS
1	BBW-14703-00	MUFFLER COMP. 1	1				
2	B7M-1465T-00	PLATE, PROTECTOR 2	1				
3	90480-12581	GROMMET	2				
4	90387-06317	COLLAR	2				
5	92014-06025	BOLT, BUTTON HEAD	2				
6	90201-06079	WASHER, PLATE	2				
7	B7M-14799-00	CAP	1				
8	92014-06016	BOLT, BUTTON HEAD	3				
9	92902-06200	WASHER	3				
10	BC3-14629-00	STAY, PROTECTOR	1				
11	90110-06134	BOLT, HEXAGON SOCKET HEAD	3				
12	BC3-14718-00	PROTECTOR, MUFFLER 1	1				
13	90480-12581	GROMMET	3				
14	90387-06141	COLLAR	1				
15	92014-06016	BOLT, BUTTON HEAD	1				
16	90201-06079	WASHER, PLATE	1				
17	22W-24181-00	DAMPER, LOCATING 1	1				
18	36Y-27424-01	DAMPER, FOOTREST 2	1				
19	90387-10046	COLLAR	1				
20	BC3-8592A-10	SENSOR, OXYGEN	1				
21	B7M-27424-00	DAMPER, FOOTREST 2	2				
22	B7M-14648-00	COLLAR 2	1				
23	4BR-14613-00	GASKET, EXHAUST PIPE	2				
24	90179-08442	NUT	4				
25	90201-10669	WASHER, PLATE	1				
26	95D32-10045	BOLT, FLANGE DEEP RECESS	1				
27	90176-10075	NUT, CAP	1				

FIG. 11 EXHAUST



REF. NO.	PART NO.	DESCRIPTION	BTL2				REMARKS
28	90185-10022	NUT, SELF-LOCKING	1				
29	90201-10071	WASHER, PLATE	1				
30	BC3-14738-00	PROTECTOR, MUFFLER 3	1				
31	B7M-1475P-00	SEAT	1				
32	B7M-1476P-00	SEAT	1				
33	90111-06202	BOLT, HEXAGON SOCKET BUTTON	3				

FIG. 12 CRANKCASE



BC31300DS110

REF. NO.	PART NO.	DESCRIPTION	BTL2				REMARKS
1	B7M-15100-08	CRANKCASE ASSY	1				
2	99530-10114	.PIN, DOWEL	2				
3	95E32-06035	BOLT, FLANGE DEEP RECESS	5				
4	95E32-06050	BOLT, FLANGE DEEP RECESS	8				
5	95022-08110	BOLT, FLANGE	6				
6	95022-08120	BOLT, FLANGE	2				
7	15B-15481-00	BOLT 1	1				
8	214-11198-01	GASKET	1				
9	93210-48364	O-RING	1				
10	BBW-15189-00	PLUG	1				
11	93210-22382	O-RING	1				
12	BBW-13455-00	PLUG	1				
13	90430-08119	GASKET	1				

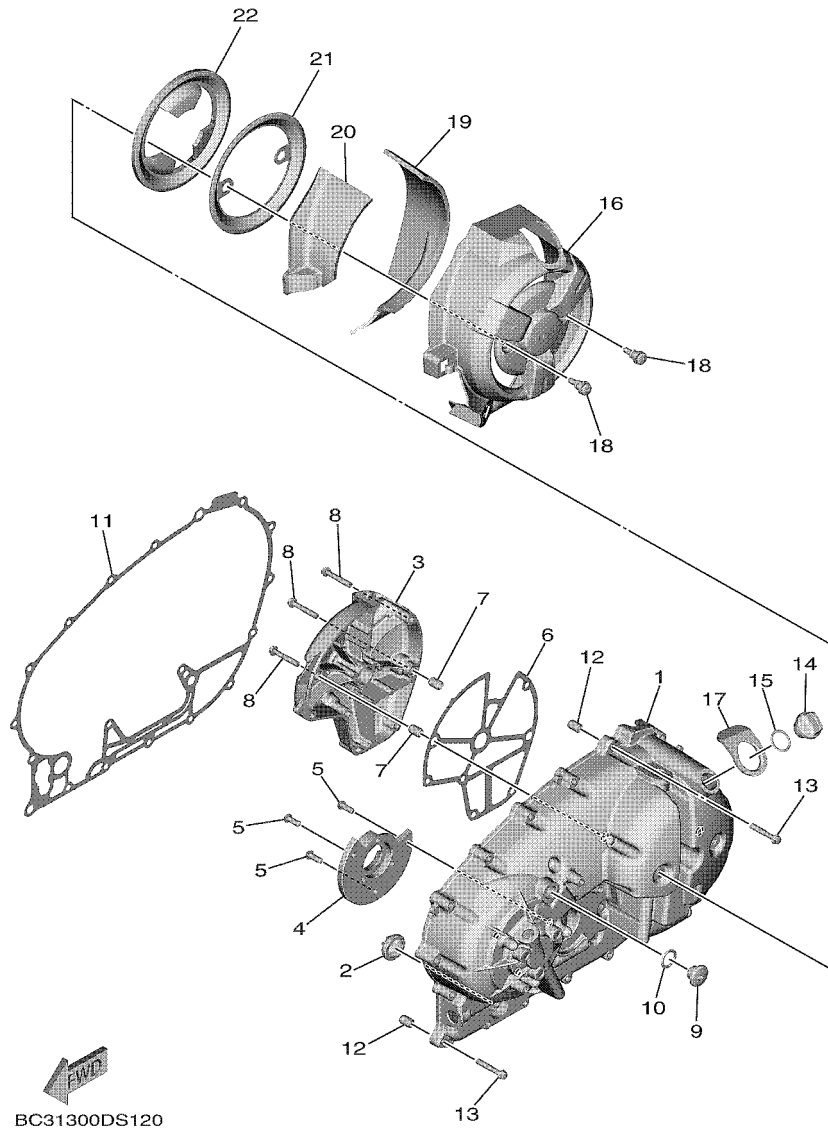
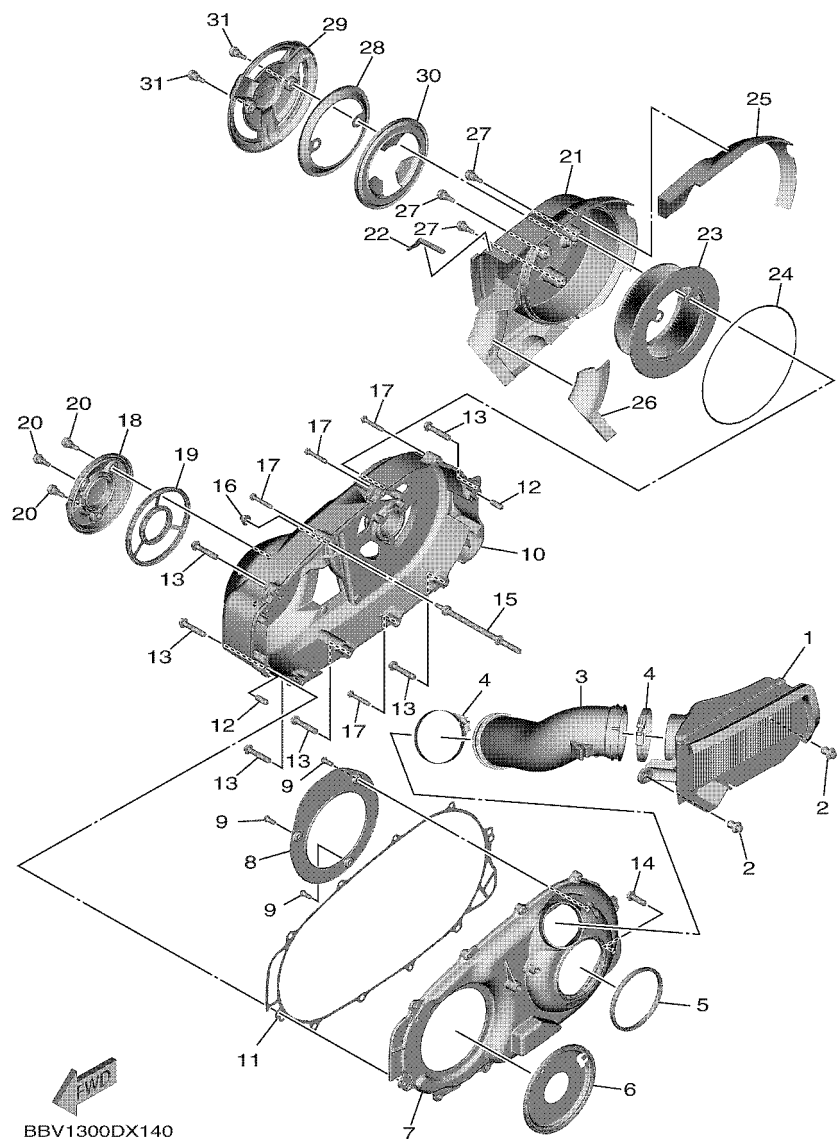


FIG. 13 CRANKCASE COVER 1

REF. NO.	PART NO.	DESCRIPTION	BTL2				REMARKS
1	BBW-15411-00	COVER, CRANKCASE 1	1				
2	2H7-15361-00	GAUGE, LEVEL	1				
3	59C-15414-00	COVER 1	1				
4	BBW-15417-00	COVER, CAP	1				
5	90149-06082	SCREW	3				
6	5GJ-15453-01	GASKET	1				
7	99530-10114	PIN, DOWEL	2				
8	95E32-06035	BOLT, FLANGE DEEP RECESS	7				
9	36Y-15189-00	PLUG	1				
10	93210-16325	O-RING	1				
11	B7M-15451-00	GASKET, CRANKCASE COVER 1	1				
12	99530-10114	PIN, DOWEL	2				
13	95E32-06035	BOLT, FLANGE DEEP RECESS	19				
14	5GJ-15363-10	PLUG, OIL	1				
15	93210-19123	O-RING	1				
16	BC3-15415-01	COVER, 1	1				
17	5GJ-15486-00	GROMMET	1				
18	2PW-15481-01	BOLT 1	2				
19	BC3-15316-00	DAMPER 1	1				
20	BC3-15335-00	DAMPER 3	1				
21	BC3-15499-00	PROTECTOR, COVER	1				
22	BC3-15789-00	DAMPER	1				

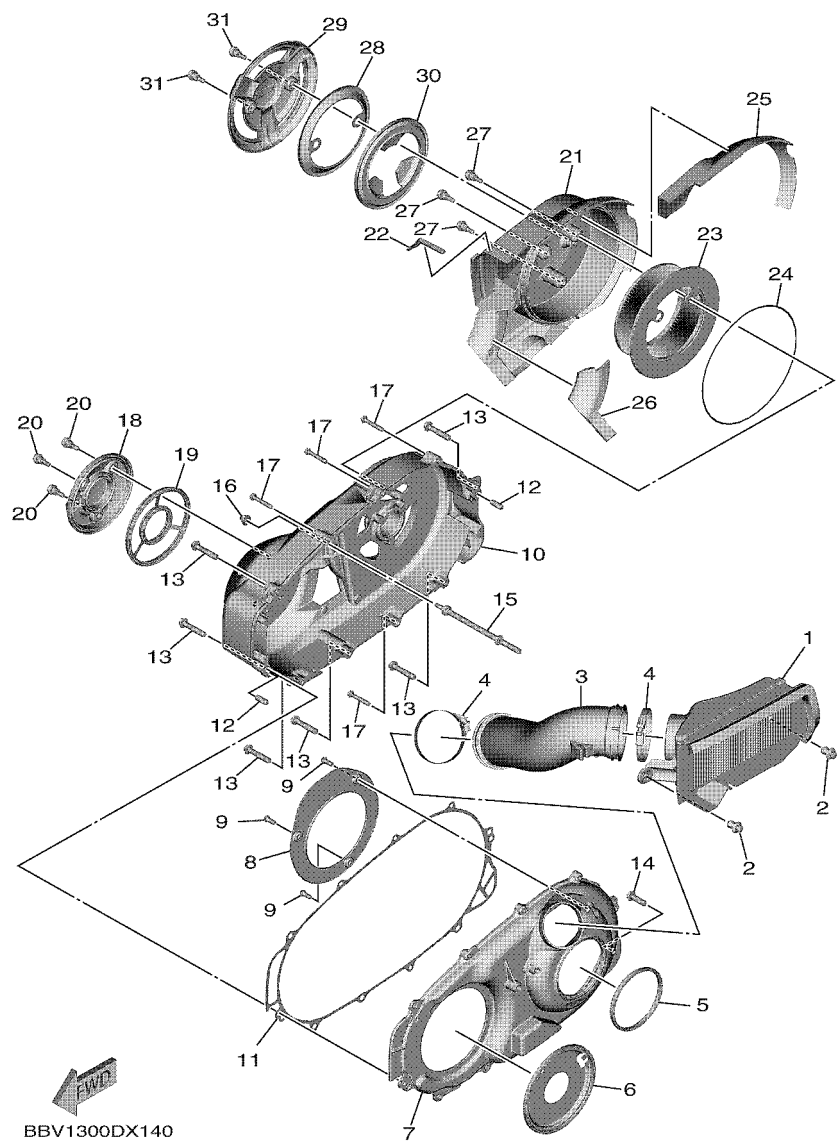
FIG. 14 CRANKCASE COVER 2



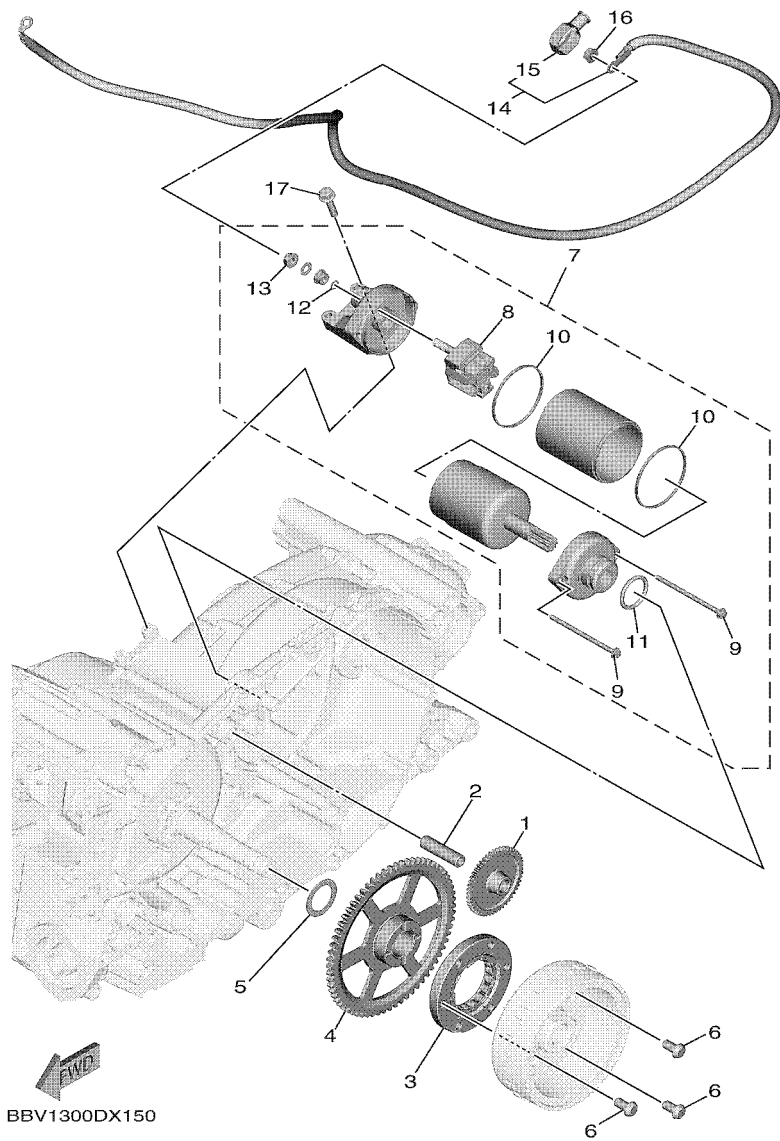
BBV1300DX140

REF. NO.	PART NO.	DESCRIPTION	BTL2				REMARKS
1	BBW-15407-00	ELEMENT 1	1				
2	90269-08002	RIVET	2				
3	BBW-15473-00	DUCT, AIR	1				
4	90450-74001	HOSE CLAMP ASSY	2				
5	5GJ-15474-00	SEAL, AIR DUCT	1				
6	15B-15191-01	PLATE	1				
7	59C-15431-00	COVER, CRANKCASE 3	1				
8	5GJ-15113-01	PLATE	1				
9	92012-06014	BOLT, BUTTON HEAD	3				
10	59C-15421-10	COVER, CRANKCASE 2	1				
11	59C-15461-01	GASKET, CRANKCASE COVER 2	1				
12	99480-08020	PIN	2				
13	95E32-08040	BOLT, FLANGE DEEP RECESS	6				
14	95E32-08025	BOLT, FLANGE DEEP RECESS	1				
15	59C-15768-00	BOLT	1				
16	90176-06017	NUT, CAP	1				
17	95E32-06035	BOLT, FLANGE DEEP RECESS	4				
18	4B5-15492-00	COVER	1				
19	5GJ-1542A-00	DAMPER 1	1				
20	2PW-15481-01	BOLT 1	3				
21	BC3-15423-01	COVER 2	1				
22	90520-04016	DAMPER, PLATE	1				
23	59C-15408-00	ELEMENT 2	1				
24	48U-14452-00	SEAL	1				
25	59C-15326-10	DAMPER 2	1				
26	BC3-1542B-00	DAMPER 2	1				
27	2PW-15481-01	BOLT 1	3				

FIG. 14 CRANKCASE COVER 2



REF. NO.	PART NO.	DESCRIPTION	BTL2				REMARKS
28	BC3-15499-00	PROTECTOR, COVER	1				
29	BC3-1543A-01	COVER, ELEMENT	1				
30	BC3-15789-00	DAMPER	1				
31	2PW-15481-01	BOLT 1	2				

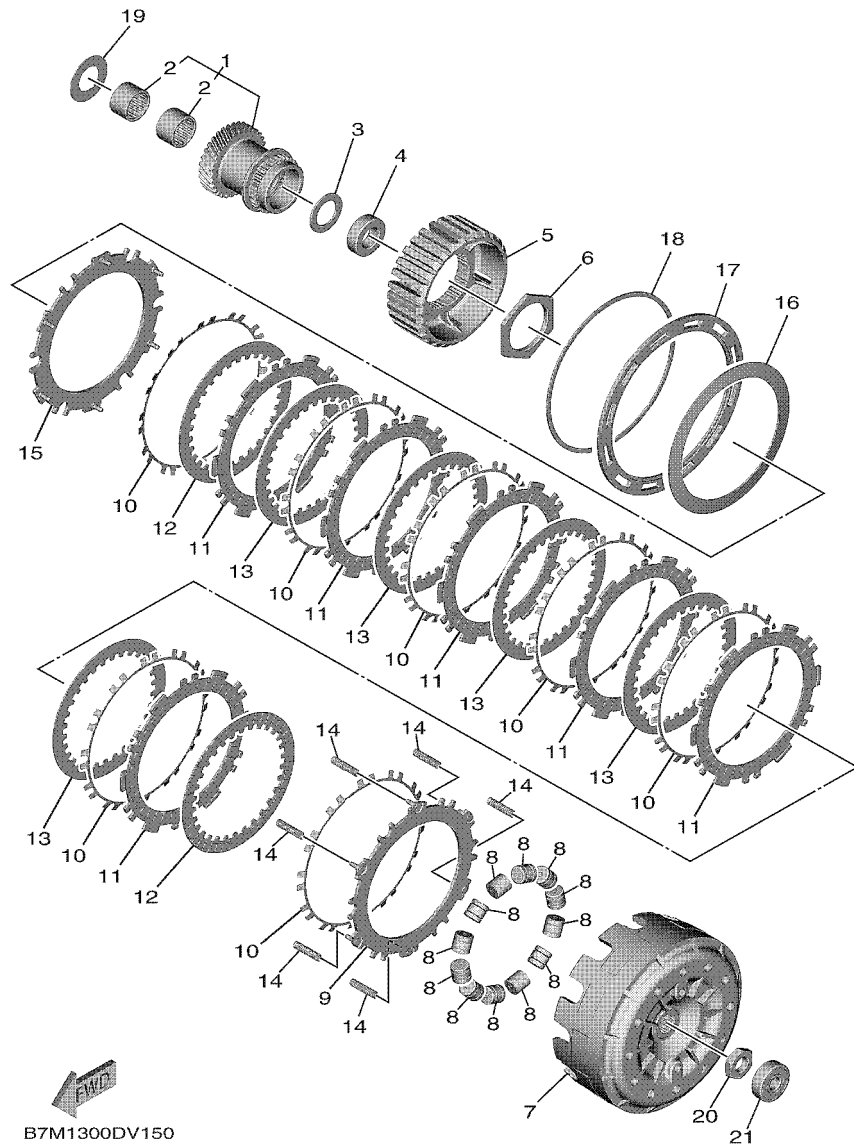


BBV1300DX150

FIG. 15 STARTER

REF. NO.	PART NO.	DESCRIPTION	BTL2				REMARKS
1	B7M-15512-00	GEAR, IDLER 1	1				
2	36Y-15521-01	SHAFT 1	1				
3	1WS-15590-00	STARTER ONE-WAY ASSY	1				
4	BBW-15517-00	GEAR, IDLER 2	1				
5	90201-25290	WASHER, PLATE	1				
6	90149-08030	SCREW	3				
7	BC3-81890-00	MOTOR ASSY	1				
8	4B5-81840-00	.BRUSH HOLDER ASSY	1				
9	4B5-81826-00	.BOLT	2				
10	4B5-81844-00	.GASKET	2				
11	1FK-81847-00	.O-RING	1				
12	3TB-81847-00	.O-RING	1				
13	4XV-8182A-00	.NUT	1				
14	BBW-81815-00	CORD, STARTER MOTOR	1				
15	4B5-81871-00	.CAP	1				
16	4XV-8182A-00	NUT	1				
17	95D32-06025	BOLT, FLANGE DEEP RECESS	2				

FIG. 16 CLUTCH



REF. NO.	PART NO.	DESCRIPTION	BTL2				REMARKS
1	B7M-16110-00	PRIMARY DRIVE GEAR ASSY	1				
2	93317-32493	.BEARING	2				
3	90201-244A9	WASHER, PLATE (2.05T)	1				
4	90387-20018	COLLAR	1				
5	B7M-16371-00	BOSS, CLUTCH	1				
6	90170-48003	NUT	1				
7	B7M-16511-00	HOUSING, CLUTCH	1				
8	5GJ-16540-00	ROLLER WEIGHT ASSY	12				
9	5GJ-16520-00	PLATE, THRUST WEIGHT	1				
10	5GJ-16533-00	SPRING, CLUTCH	7				
11	B7M-16321-00	PLATE, FRICTION	6				
12	B7M-16325-00	PLATE, CLUTCH 2	2				
13	B7M-16324-00	PLATE, CLUTCH 1	5				
14	90501-110A0	SPRING, COMPRESSION	6				
15	5GJ-16550-00	PRESSURE PLATE ASSY	1				
16	5GJ-16334-00	SPRING, CLUTCH 2	1				
17	5GJ-16537-00	PLATE, SPRING STOPPER	1				UR (HOLE 0)
	5GJ-16537-10	PLATE, SPRING STOPPER	1				UR (HOLE 1)
	5GJ-16537-20	PLATE, SPRING STOPPER	1				UR (HOLE 2)
	5GJ-16537-30	PLATE, SPRING STOPPER	1				UR (HOLE 3)
18	5GJ-16529-00	CLIP	1				
19	90201-24017	WASHER, PLATE	1				
20	90170-16326	NUT	1				
21	93306-30102	BEARING	1				

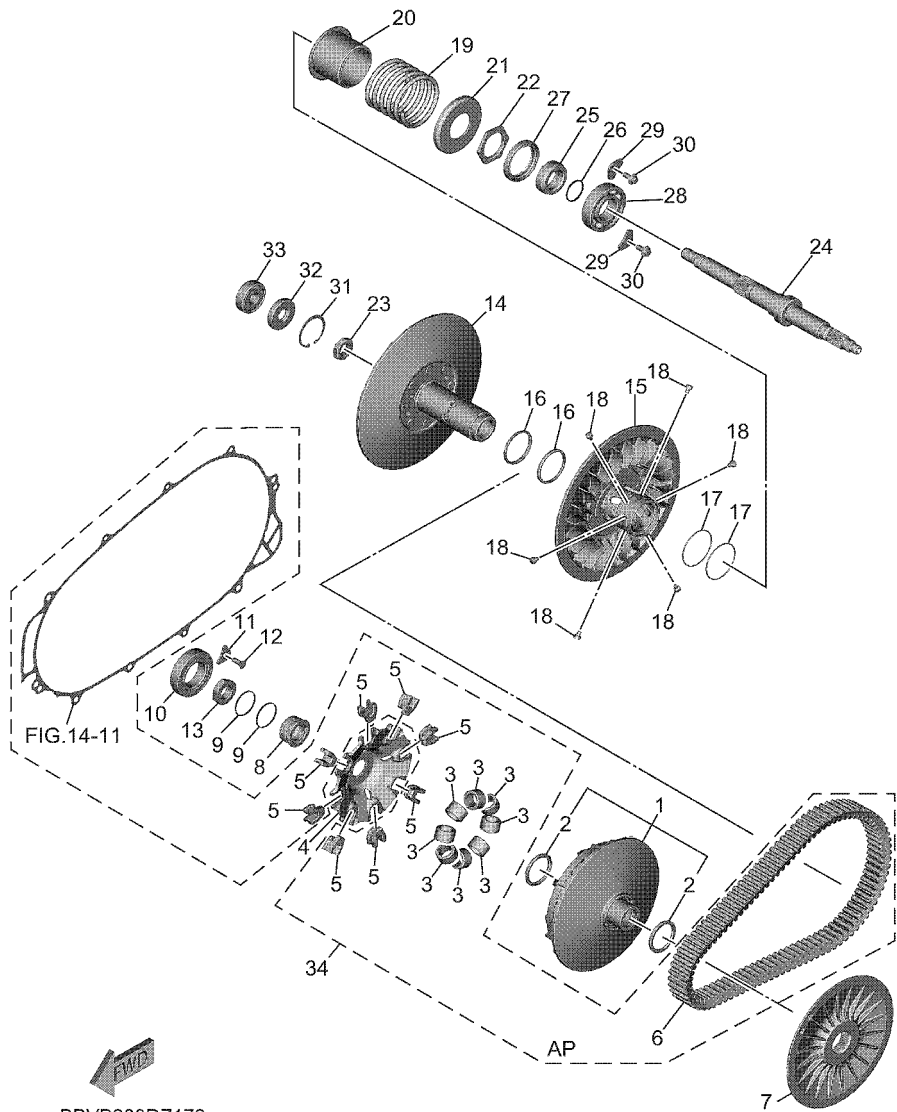
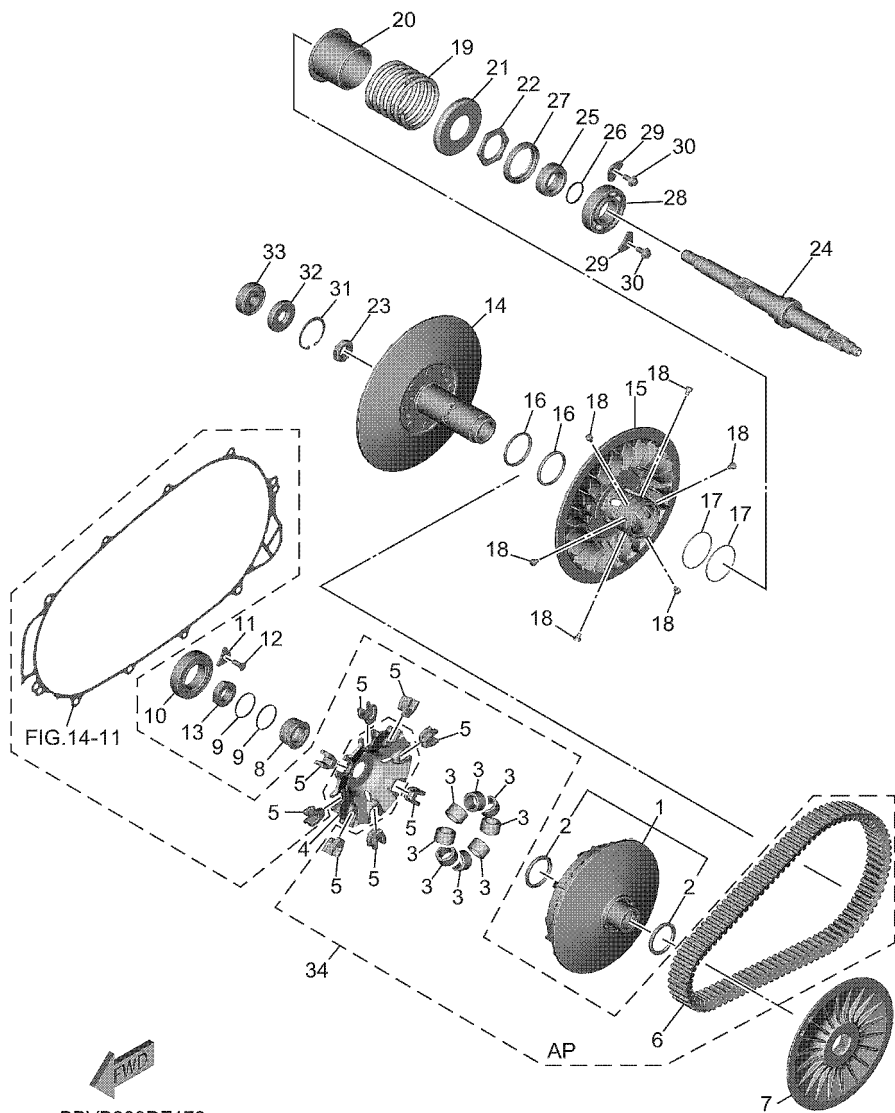


FIG. 17 CLUTCH 2

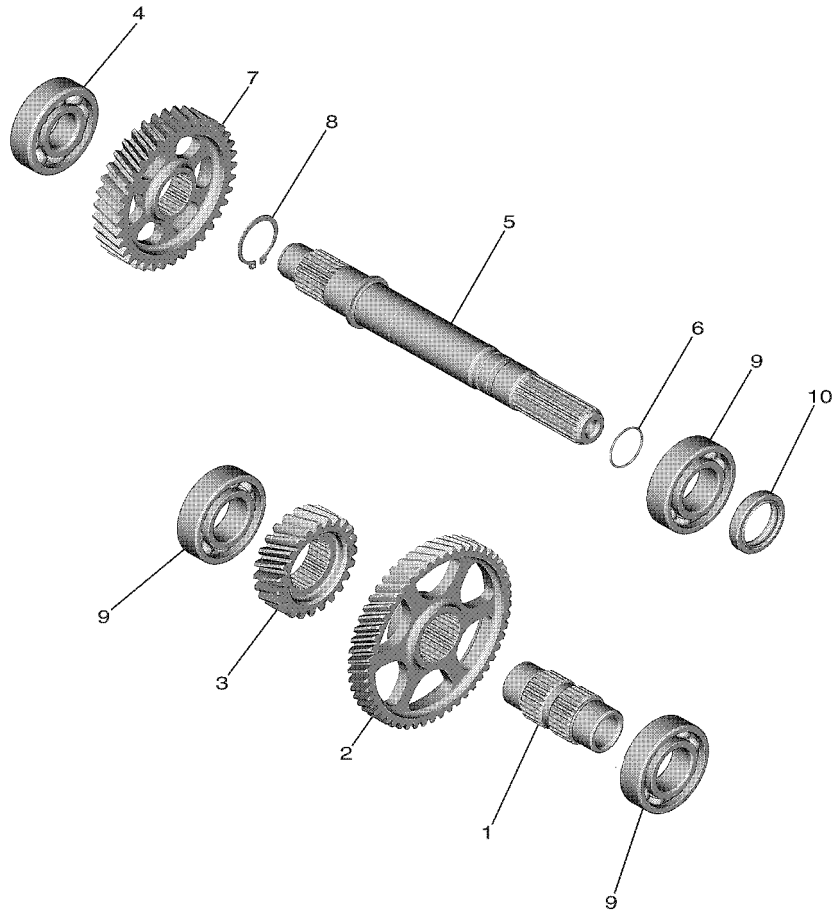
REF. NO.	PART NO.	DESCRIPTION	BTL2					REMARKS
1	B7M-17601-09	PRIMARY SHEAVE ASSY	1					
2	93101-35001	.OIL SEAL	2					
3	5VU-17632-10	WEIGHT	8					
4	BC3-17623-00	CAM	1					
5	59C-17653-01	SLIDER	8					
6	B7M-17641-10	V-BELT	1					
7	59C-17611-00	SHEAVE, PRIMARY FIXED	1					
8	59C-17649-01	SPACER	1					
9	93210-30611	O-RING	2					
10	93306-00713	BEARING	1					
11	4XM-15383-00	PLATE, BEARING COVER	1					
12	90151-06023	SCREW, COUNTERSUNK	1					
13	90179-20013	NUT	1					
14	59C-17660-00	SECONDARY FIXED SHEAVE COMP.	1					
15	59C-17670-00	SECONDARY SLIDING SHEAVE	1					
16	93104-41119	OIL SEAL	2					
17	93210-44545	O-RING	2					
18	4CW-17664-00	PIN, GUIDE	6					
19	90501-620A1	SPRING, COMPRESSION	1					
20	5GJ-17690-00	SPRING SEAT COMP.	1					
21	4WV-17644-00	SEAT,SPRING	1					
22	90170-36279	NUT	1					
23	90170-18221	NUT	1					
24	B7M-17681-00	SHAFT, SECONDARY	1					
25	90387-26001	COLLAR	1					
26	93210-26001	O-RING	1					
27	93102-42004	OIL SEAL	1					



BBVB300DZ170

FIG. 17 CLUTCH 2

REF. NO.	PART NO.	DESCRIPTION	BTL2			REMARKS
28	93306-20651	BEARING	1			
29	5GJ-15383-00	PLATE, BEARING COVER	2			
30	90110-06036	BOLT, HEXAGON SOCKET HEAD	2			
31	99009-42500	CIRCLIP	1			
32	93102-15004	OIL SEAL	1			
33	93306-30217	BEARING	1			
34	BBV-W000V-00	V-BELT KIT	1			AP




 B7M1300DV170

FIG. 18 TRANSMISSION

REF. NO.	PART NO.	DESCRIPTION	BTL2				REMARKS
1	59C-17411-10	AXLE, MAIN	1				
2	59C-16151-00	GEAR, PRIMARY DRIVEN (52T)	1				
3	BBW-17111-00	GEAR, 1ST PINION (23T)	1				
4	93306-30427	BEARING	1				
5	B7M-17421-00	AXLE, DRIVE	1				
6	93210-21006	O-RING	1				
7	BBW-17211-00	GEAR, 1ST WHEEL (36T)	1				
8	99009-25400	CIRCLIP	1				
9	93306-205A8	BEARING	3				
10	93102-25064	OIL SEAL	1				

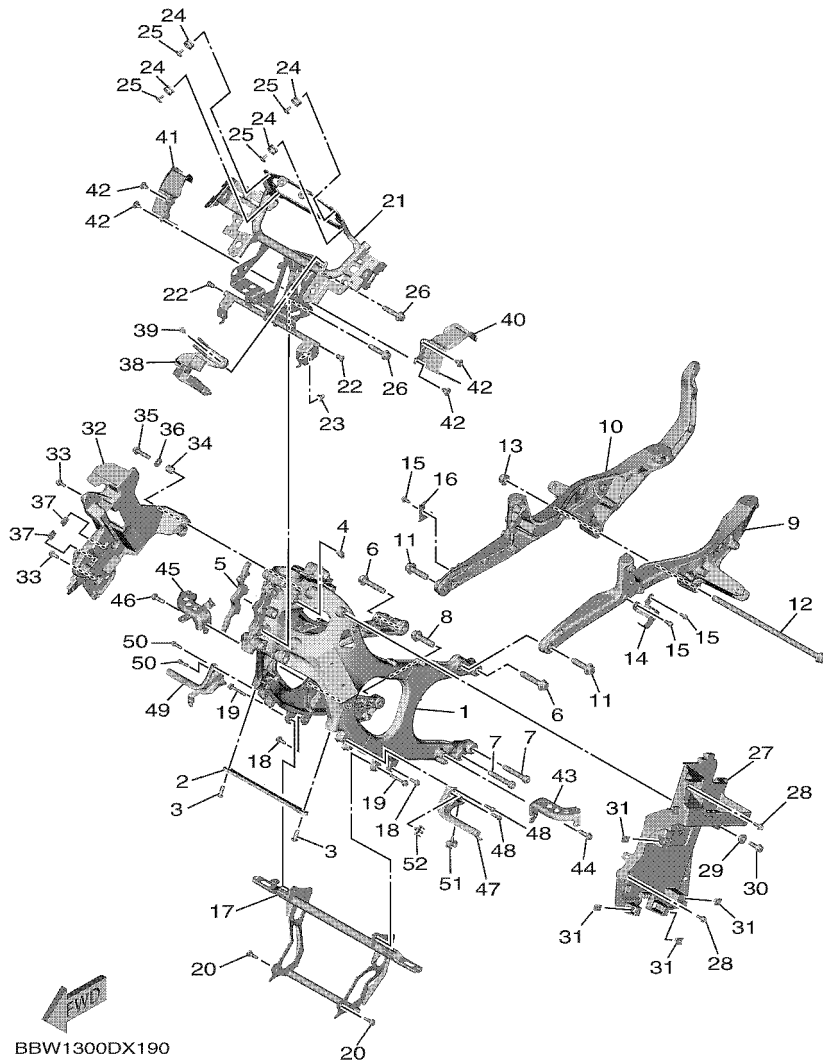


FIG. 19 FRAME

REF. NO.	PART NO.	DESCRIPTION	BTL2				REMARKS
1	B7M-21110-00	FRAME COMP.	1				
2	BC3-21236-00	REINFORCEMENT	1				
3	90149-08002	SCREW	2				
4	5VX-21279-10	PLUG, BLIND	1				
5	BBW-2113B-00	DAMPER	1				
6	BC3-21481-10	BOLT, ENGINE MOUNTING 1	2				
7	91312-10060	BOLT, HEXAGON SOCKET HEAD	2				
8	95812-12045	BOLT, FLANGE	1				
9	BBW-21195-00	SEAT, RAIL 1	1				
10	BBW-21185-00	SEAT, RAIL 2	1				
11	95812-12045	BOLT, FLANGE	2				
12	90105-12052	BOLT, FLANGE	1				
13	95602-12200	NUT, SELF-LOCKING	1				
14	BBW-21158-00	BRACKET	1				
15	95E32-06012	BOLT, FLANGE DEEP RECESS	3				
16	BBW-21183-00	PLATE	1				
17	BV1-2142K-00	BRACKET, RADIATOR	1				
18	95812-06016	BOLT, FLANGE	2				
19	95812-06040	BOLT, FLANGE	2				
20	95D32-06020	BOLT, FLANGE DEEP RECESS	2				
21	BBW-28356-00	STAY 1	1				
22	90338-08174	PLUG	2				
23	BBW-21399-00	CAP	1				
24	4XV-83513-00	DAMPER	4				
25	90164-05001	SCREW, TAPPING	4				
26	95812-10045	BOLT, FLANGE	2				
27	BBW-8212B-00	BOX, BATTERY 1	1				

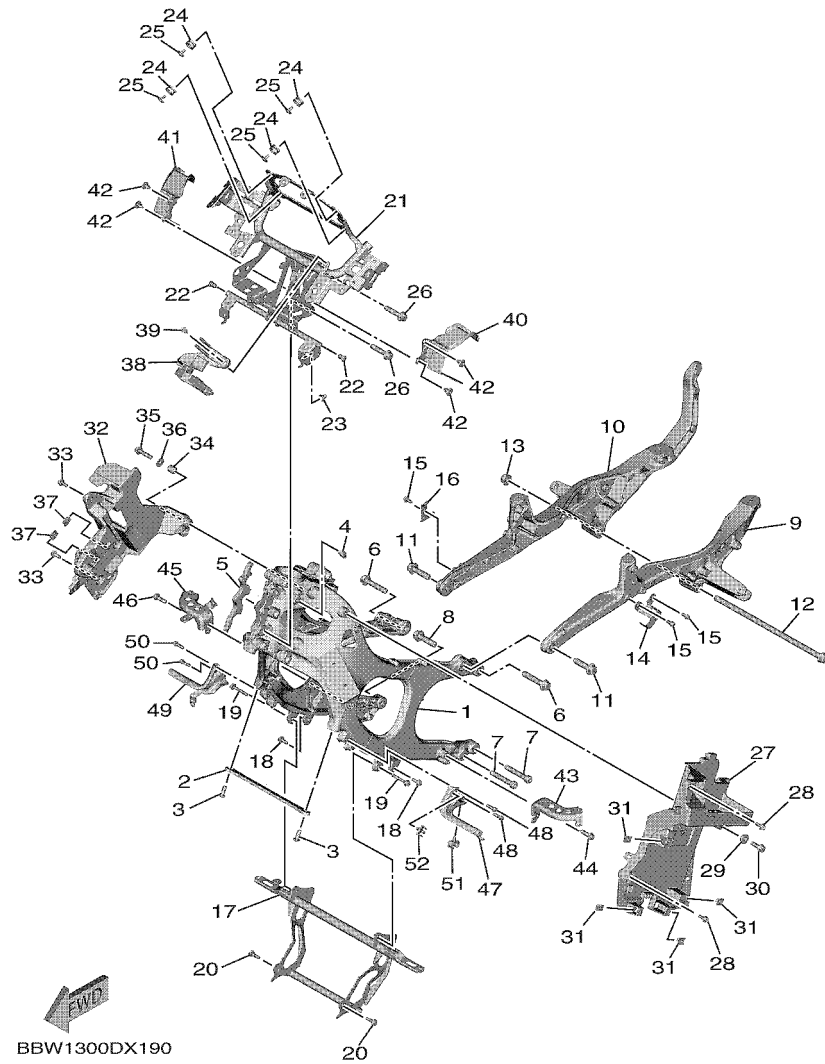
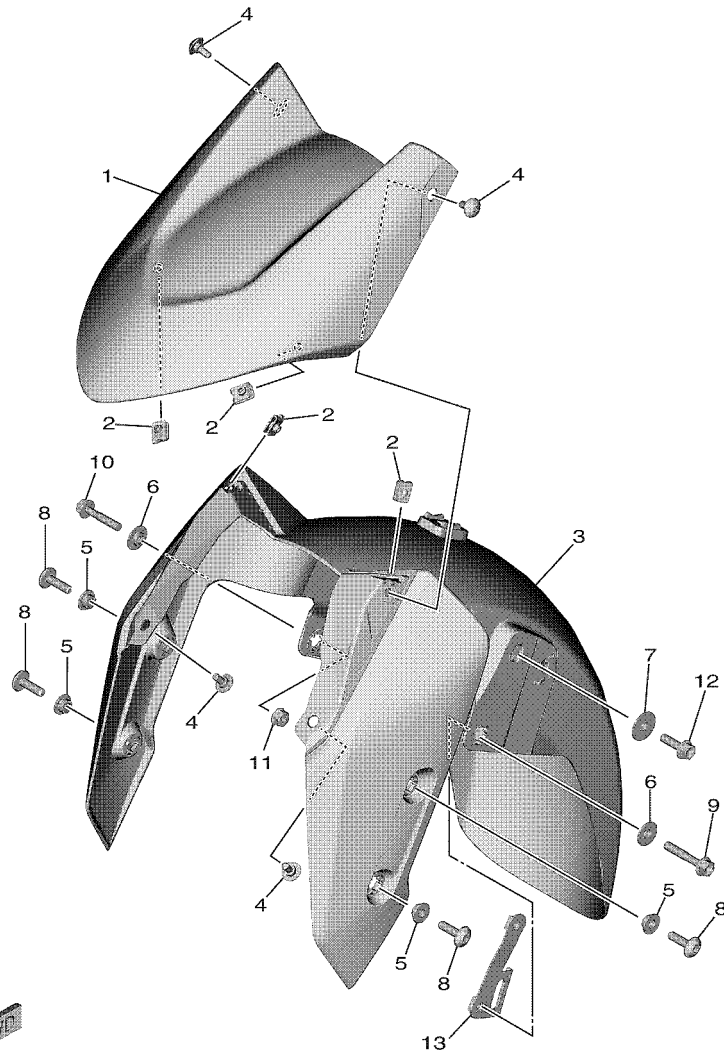


FIG. 19 FRAME

REF. NO.	PART NO.	DESCRIPTION	BTL2				REMARKS
28	95D37-06016	BOLT, FLANGE DEEP RECESS	2				
29	90387-10114	COLLAR	1				
30	90105-08129	BOLT, FLANGE	1				
31	90183-06069	NUT, SPRING	4				
32	BBW-8212C-00	BOX, BATTERY 2	1				
33	95D37-06016	BOLT, FLANGE DEEP RECESS	2				
34	90387-10100	COLLAR	1				
35	95D32-08035	BOLT, FLANGE DEEP RECESS	1				
36	90201-087F0	WASHER, PLATE	1				
37	90183-06069	NUT, SPRING	2				
38	BBW-2116M-00	BRACKET 10	1				
39	90269-06008	RIVET	1				
40	BC3-2117F-01	COVER	1				
41	BC3-2117M-01	COVER 2	1				
42	90269-07077	RIVET	4				
43	BV1-2141A-00	BRACKET 1	1				
44	90105-08M35	BOLT, FLANGE	1				
45	BBW-2141E-00	BRACKET 2	1				
46	90105-08M35	BOLT, FLANGE	1				
47	BC3-2144H-00	BRACKET, FOOTREST 3	1				
48	90105-06127	BOLT, FLANGE	2				
49	BC3-2145H-00	BRACKET, FOOTREST 4	1				
50	90105-06127	BOLT, FLANGE	2				
51	90464-09130	CLAMP	1				
52	90464-08126	CLAMP	1				

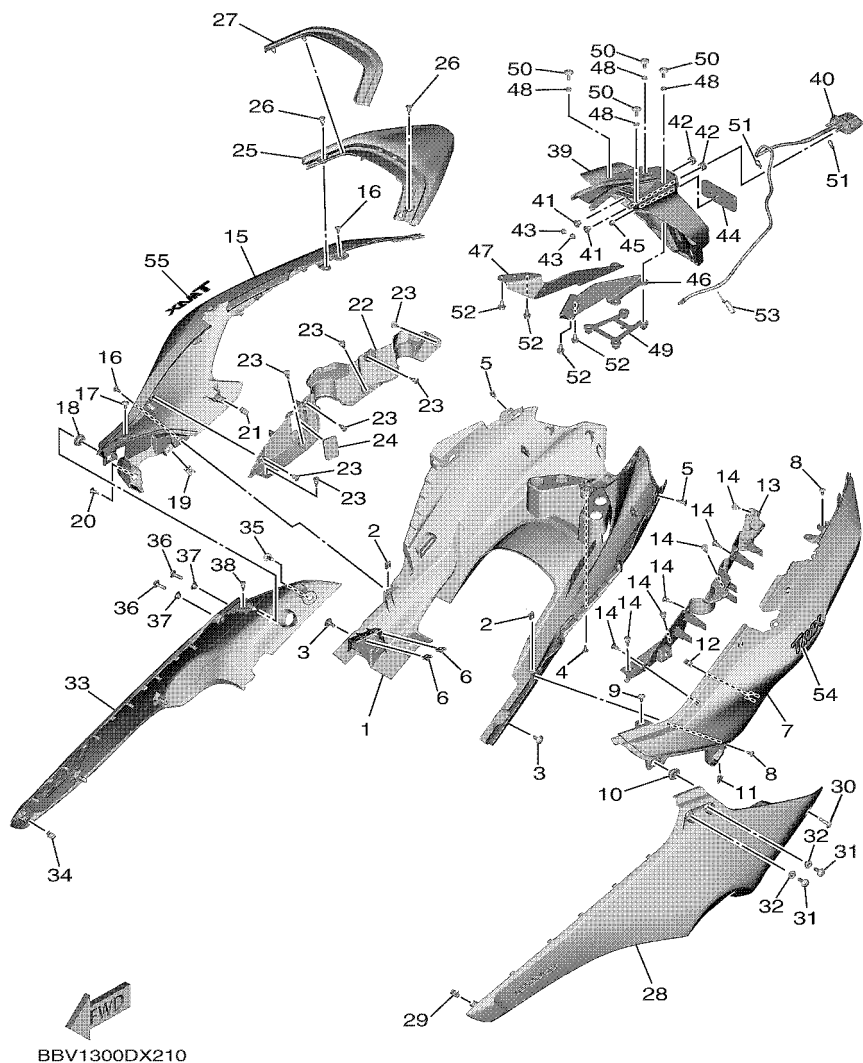


BBV1300DX200

FIG. 20 FENDER

REF. NO.	PART NO.	DESCRIPTION	BTL2				REMARKS
1	BBW-21511-00-P4	FENDER, FRONT	1				UR FOR MDNM6
	BBW-21511-00-P6	FENDER, FRONT	1				UR FOR MDRNP1
2	90183-05076	NUT, SPRING	4				
3	BBW-21556-00	FENDER, FRONT 2	1				
4	90111-05045	BOLT, HEXAGON SOCKET BUTTON	4				
5	90387-06107	COLLAR	4				
6	90387-06200	COLLAR	2				
7	90387-06364	COLLAR	1				
8	90111-06140	BOLT, HEXAGON SOCKET BUTTON	4				
9	95D32-06035	BOLT, FLANGE DEEP RECESS	1				
10	95D32-06030	BOLT, FLANGE DEEP RECESS	1				
11	95702-06500	NUT, FLANGE	1				
12	95D32-06020	BOLT, FLANGE DEEP RECESS	1				
13	BBW-2612K-00	BRKT 2	1				

FIG. 21 SIDE COVER



REF. NO.	PART NO.	DESCRIPTION	BTL2	REMARKS
1	BBW-2171E-00	COVER, SIDE 5	1	
2	90183-05042	NUT, SPRING	2	
3	90111-06191	BOLT, HEXAGON SOCKET BUTTON	2	
4	97702-50012	SCREW, TAPPING	1	
5	90269-06008	RIVET	2	
6	90183-060A6	NUT, SPRING	2	
7	BBW-21711-00-P4	COVER, SIDE 1	1	UR FOR MDNM6
	BBW-21711-00-P6	COVER, SIDE 1	1	UR FOR MDRNP1
8	97702-50012	SCREW, TAPPING	2	
9	90109-05022	BOLT	1	
10	90480-01559	GROMMET	1	
11	90183-060A6	NUT, SPRING	1	
12	90464-07018	CLAMP	1	
13	BBW-2172G-00	PANEL 3	1	
14	90269-06008	RIVET	7	
15	BBW-21721-00-P4	COVER, SIDE 2	1	UR FOR MDNM6
	BBW-21721-00-P6	COVER, SIDE 2	1	UR FOR MDRNP1
16	97702-50012	SCREW, TAPPING	2	
17	90109-05022	BOLT	1	
18	90480-01559	GROMMET	1	
19	90183-060A6	NUT, SPRING	1	
20	90269-06008	RIVET	1	
21	90464-07018	CLAMP	1	
22	BBW-2172H-00	PANEL 4	1	
23	90269-06008	RIVET	7	
24	90338-36004	PLUG	1	
25	BBW-2171A-00-P4	COVER, TOP	1	UR FOR MDNM6

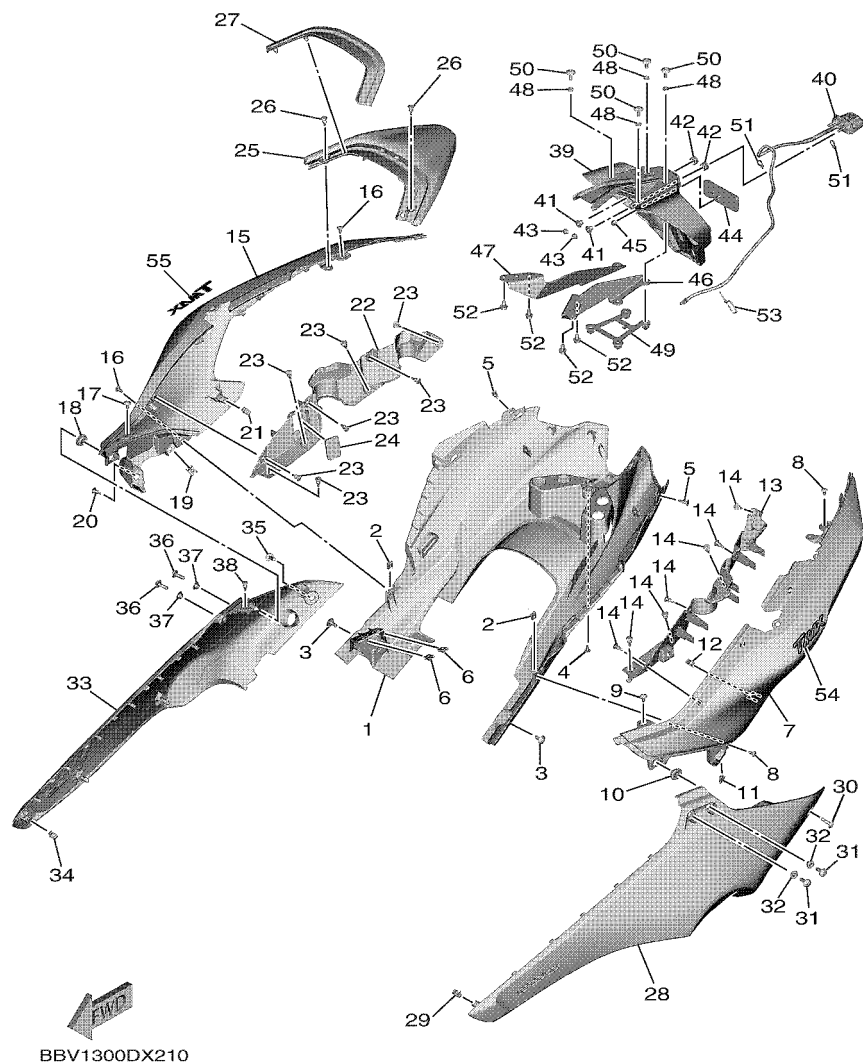
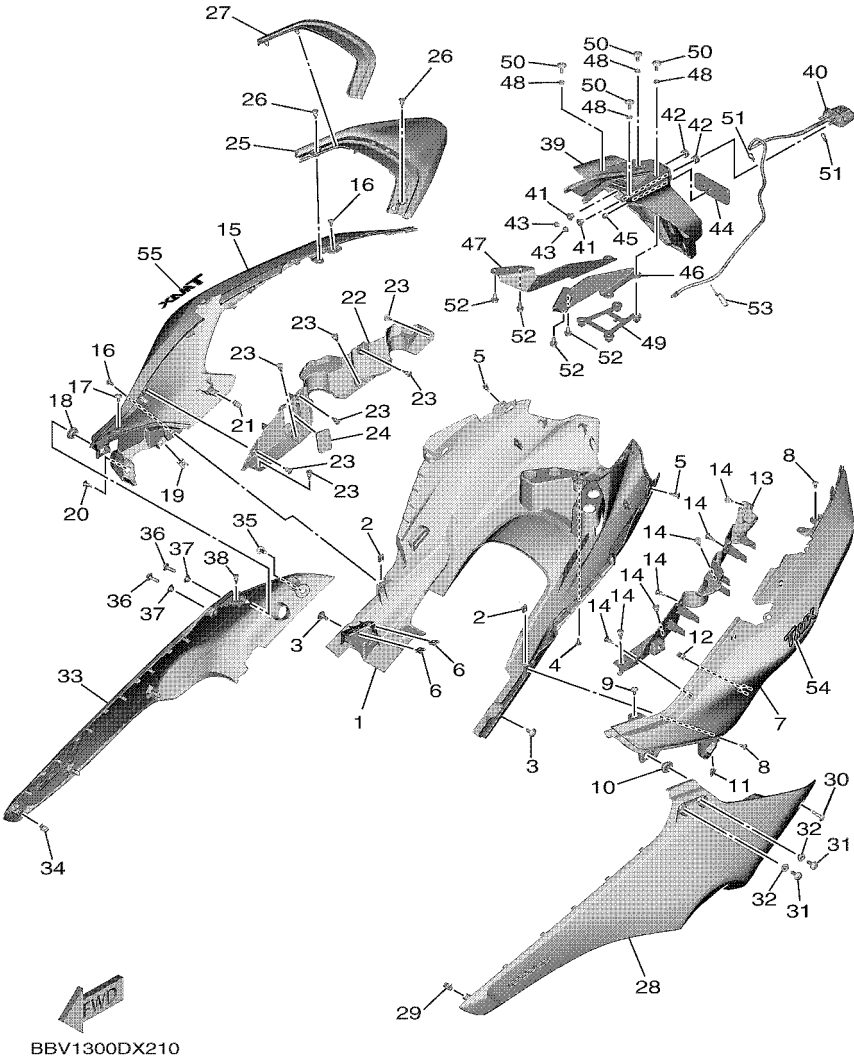


FIG. 21 SIDE COVER

REF. NO.	PART NO.	DESCRIPTION	BTL2	REMARKS
25	BBW-2171A-00-P6	COVER, TOP	1	UR FOR MDRNP1
26	90269-06008	RIVET	2	
27	BBW-2175N-00	COVER, FLANGE	1	
28	BBW-21731-00-P2	COVER, SIDE 3	1	SMX
29	90464-07018	CLAMP	1	
30	90149-06104	SCREW	1	
31	90149-06104	SCREW	2	
32	90387-06270	COLLAR	2	
33	BBW-21741-00-P2	COVER, SIDE 4	1	SMX
34	90464-07018	CLAMP	1	
35	90149-06104	SCREW	1	
36	90149-06104	SCREW	2	
37	90387-06270	COLLAR	2	
38	90269-06008	RIVET	1	
39	BBW-21629-00	GUARD, MUD	1	
40	BBW-H4740-00	LICENSE LIGHT ASSY	1	
41	90387-05003	COLLAR	2	
42	90480-11009	GROMMET	2	
43	95607-05200	NUT, S/L FLANGE	2	
44	3Y6-85130-02	REAR REFLECTOR ASSY	1	
45	95607-05200	NUT, S/L FLANGE	1	
46	BBW-2164F-00	STAY 1	1	
47	BBW-2164G-00	STAY 2	1	
48	90387-06372	COLLAR	4	
49	BBW-2161G-00	BRACKET 6	1	
50	90111-06089	BOLT, HEXAGON SOCKET BUTTON	4	
51	90465-10098	CLAMP	2	

FIG. 21 SIDE COVER



REF. NO.	PART NO.	DESCRIPTION	BTL	REMARKS
52	95812-06012	BOLT, FLANGE	4	
53	90465-10098	CLAMP	1	
54	BBW-2173B-10	EMBLEM 3D	1	
55	BBW-2173B-10	EMBLEM 3D	1	
<hr/>				
<hr/>				
<hr/>				
<hr/>				
<hr/>				
<hr/>				
<hr/>				
<hr/>				

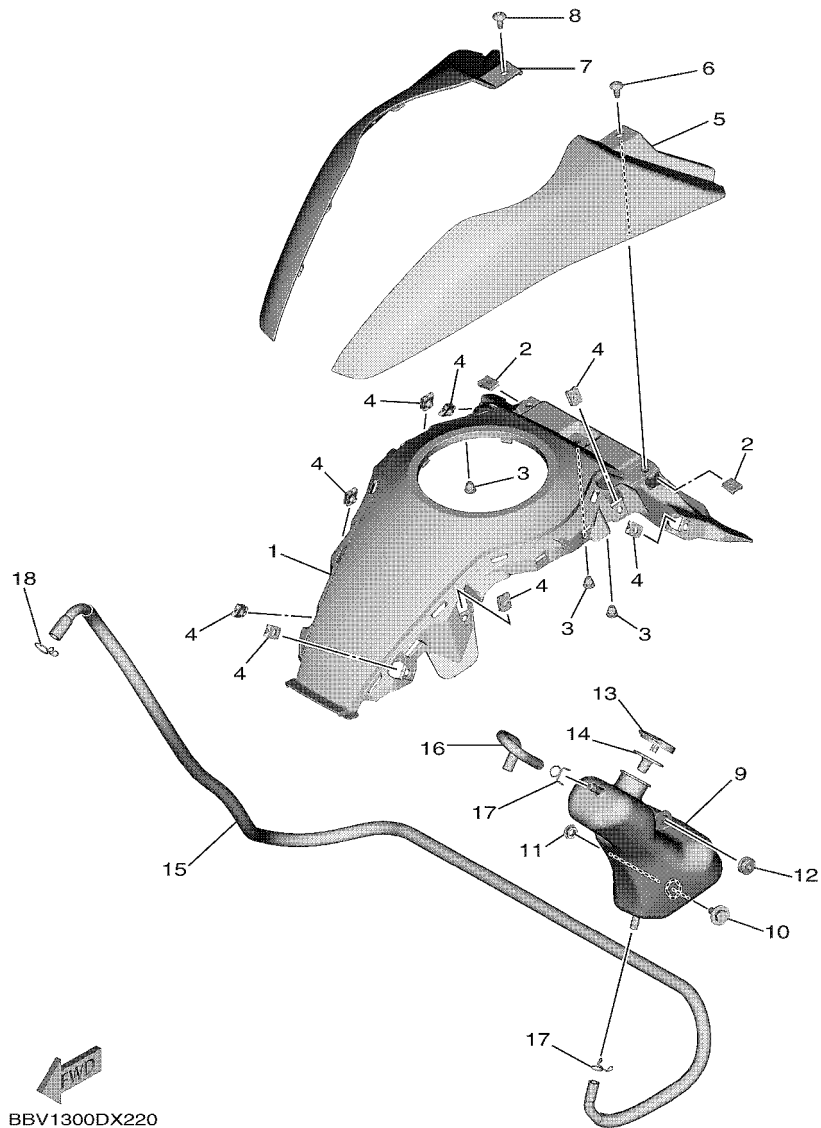


FIG. 22 SIDE COVER 2

REF. NO.	PART NO.	DESCRIPTION	BTL2				REMARKS
1	BBW-24765-00	LID, DOUBLE SEAT	1				
2	90183-05042	NUT, SPRING	2				
3	90338-06018	PLUG	3				
4	90183-05076	NUT, SPRING	8				
5	BBW-24129-00-P3	COVER, SIDE 1	1				UR DNMN FOR MDNM6
	BBW-24129-00-P2	COVER, SIDE 1	1				UR SMX FOR MDRNP1
6	90167-05079	SCREW, TAPPING	1				
7	BBW-24139-00-P3	COVER, SIDE 2	1				UR DNMN FOR MDNM6
	BBW-24139-00-P2	COVER, SIDE 2	1				UR SMX FOR MDRNP1
8	90167-05079	SCREW, TAPPING	1				
9	BBW-21871-00	TANK, RECOVERY	1				
10	90119-06209	BOLT, WITH WASHER	1				
11	90387-06173	COLLAR	1				
12	90480-10334	GROMMET	1				
13	1AA-21815-00	CAP	1				
14	1AA-21874-00	.GASKET	1				
15	BBW-21816-00	PIPE 1	1				
16	BC3-21817-00	PIPE 2	1				
17	90467-090A2	CLIP	2				
18	90467-10008	CLIP	1				

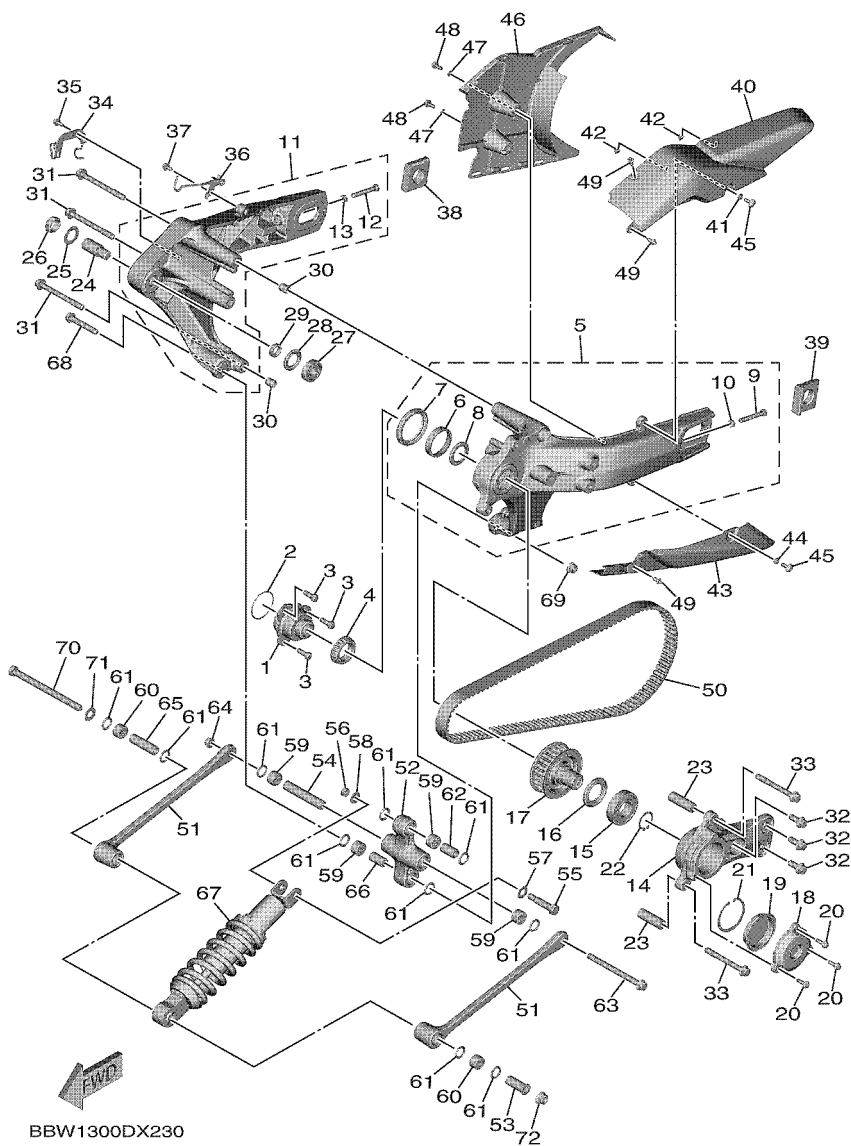


FIG. 23 REAR ARM & SUSPENSION

REF. NO.	PART NO.	DESCRIPTION	BTL2				REMARKS
1	15B-17524-00	HOLDER	1				
2	93210-50553	O-RING	1				
3	91312-08020	BOLT, HEXAGON SOCKET HEAD	3				
4	93332-00086	BEARING	1				
5	BC3-2210M-00	REAR ARM ASSY 1	1				
6	5GJ-17554-00	.RETAINER, BEARING	1				
7	93102-55004	.OIL SEAL	1				
8	93102-30284	.OIL SEAL	1				
9	90101-08013	.BOLT	1				
10	95302-08600	.NUT, HEXAGON	1				
11	BC3-2210N-01	REAR ARM ASSY 2	1				
12	90101-08013	.BOLT	1				
13	95302-08600	.NUT, HEXAGON	1				
14	BC3-22465-00	HOLDER	1				
15	93306-20662	BEARING	1				
16	93102-35023	OIL SEAL	1				
17	B7M-17651-00	PULLEY, BELT	1				
18	59C-2219X-00	COVER	1				
19	59C-2214F-00	DAMPER 1	1				
20	90110-06163	BOLT, HEXAGON SOCKET HEAD	3				
21	99009-62500	CIRCLIP	1				
22	99009-30400	CIRCLIP	1				
23	59C-46153-00	COLLAR, GUIDE	2				
24	15B-22141-00	SHAFT, PIVOT	1				
25	90201-22018	WASHER, PLATE	1				
26	1J7-22143-00	NUT	1				
27	93332-00010	BEARING	1				

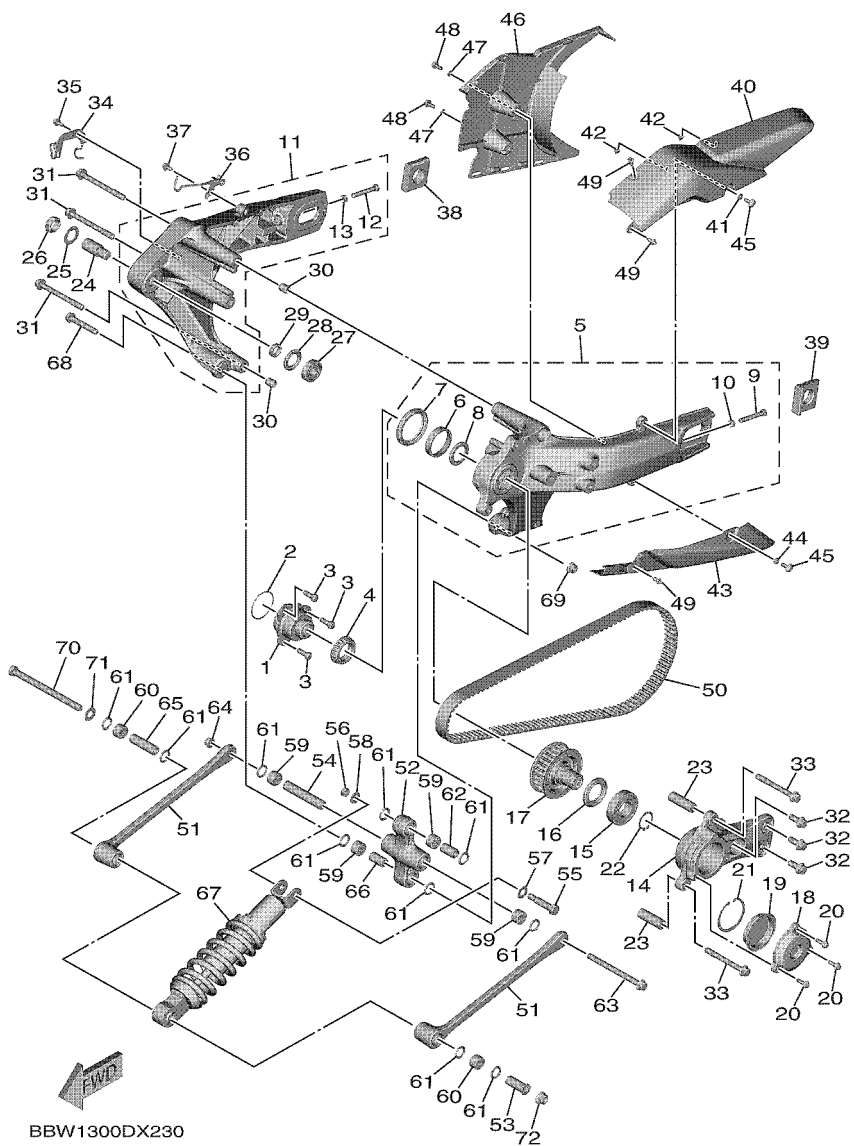
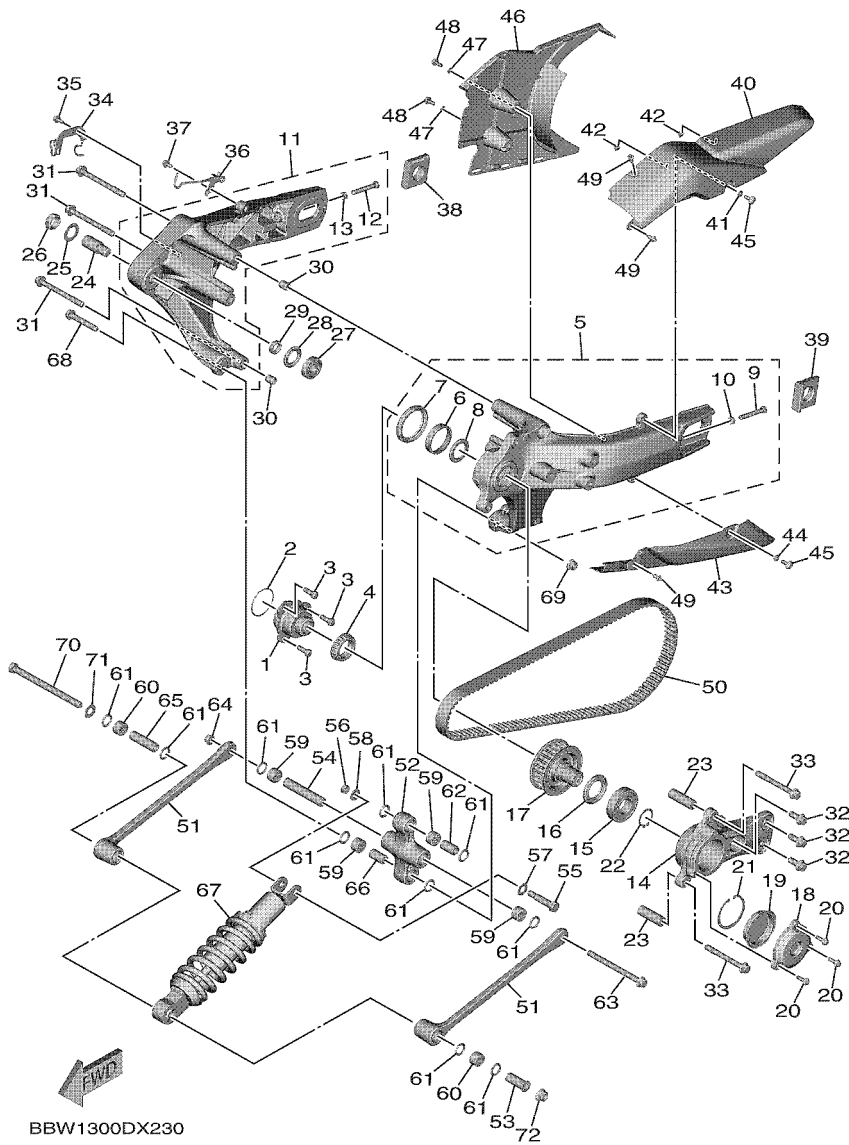


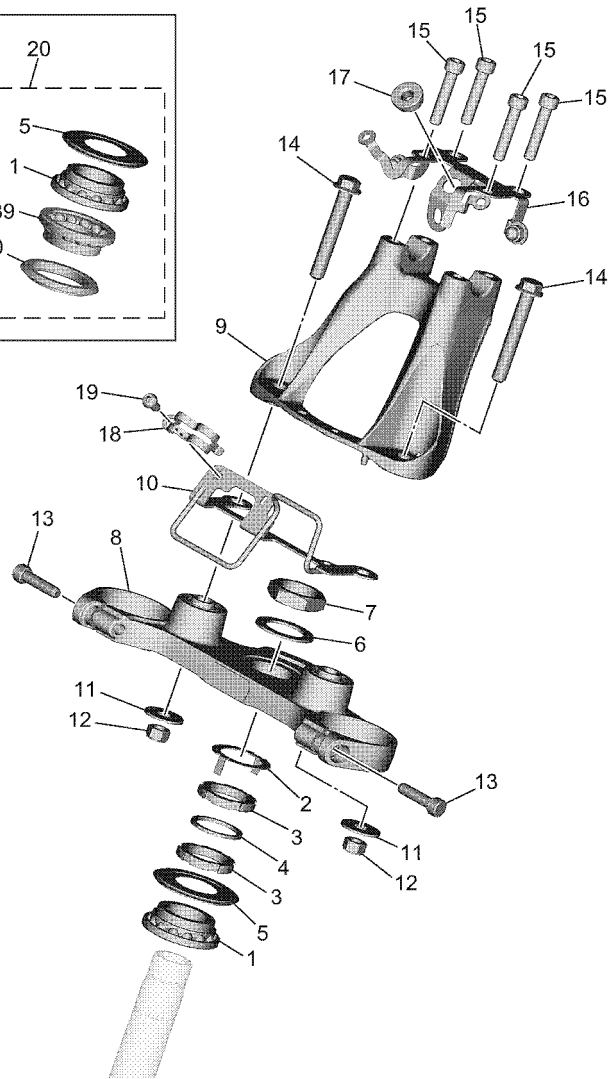
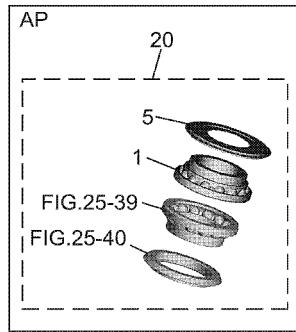
FIG. 23 REAR ARM & SUSPENSION

REF. NO.	PART NO.	DESCRIPTION	BTL2				REMARKS
28	93102-25017	OIL SEAL	1				
29	90387-17011	COLLAR	1				
30	99530-14016	PIN, DOWEL	2				
31	95D32-10100	BOLT, FLANGE DEEP RECESS	3				
32	95D32-10025	BOLT, FLANGE DEEP RECESS	3				
33	95D32-10090	BOLT, FLANGE DEEP RECESS	2				
34	BC3-21682-00	STAY, PLATE	1				
35	95D32-06012	BOLT, FLANGE DEEP RECESS	1				
36	BC3-2587A-00	HOLDER, BRAKE HOSE 4	1				
37	90105-06181	BOLT, FLANGE	1				
38	5VY-25388-00	PULLER, CHAIN 1	1				
39	5VY-25389-01	PULLER, CHAIN 2	1				
40	BC3-22311-01	CASE, CHAIN	1				
41	90387-06372	COLLAR	1				
42	90468-040A0	CLIP	2				
43	BC3-22312-01	CASE, CHAIN 2	1				
44	90387-06372	COLLAR	1				
45	90111-06116	BOLT, HEXAGON SOCKET BUTTON	2				
46	BC3-22381-01	COVER 1	1				
47	90387-06372	COLLAR	2				
48	95D32-06014	BOLT, FLANGE DEEP RECESS	2				
49	90269-06001	RIVET	3				
50	BC3-46241-01	BELT	1				
51	BC3-2217M-00	ARM 1	2				
52	BC3-2217A-00	ARM, RELAY	1				
53	BC3-2248B-00	COLLAR, ROD 1	1				
54	BC3-2248C-00	COLLAR, ROD 2	1				

FIG. 23 REAR ARM & SUSPENSION



REF. NO.	PART NO.	DESCRIPTION	BTL2				REMARKS
55	90109-10027	BOLT	1				
56	95612-10100	NUT, U	1				
57	90201-13015	WASHER, PLATE	1				
58	90201-10035	WASHER, PLATE	1				
59	93315-31758	BEARING	4				
60	93315-41774	BEARING	2				
61	93109-17071	OIL SEAL	10				
62	90387-127W0	COLLAR	1				
63	90105-10220	BOLT, FLANGE	1				
64	95602-10200	NUT, SELF-LOCKING	1				
65	BC3-2248B-10	COLLAR, ROD 1	1				
66	BC3-22882-00	COLLAR, DISTANCE 1	1				
67	BBW-22210-00	SHOCK ABSORBER ASSY, REAR	1				
68	90105-10318	BOLT, FLANGE	1				
69	95602-10200	NUT, SELF-LOCKING	1				
70	90101-12060	BOLT	1				
71	90201-12034	WASHER, PLATE	1				
72	95602-12200	NUT, SELF-LOCKING	1				



BBVB300DZ240

FIG. 24 STEERING

REF. NO.	PART NO.	DESCRIPTION	BTL2				REMARKS
1	93399-99932	BEARING	1				
2	4XV-23418-00	WASHER, SPECIAL	1				
3	90179-30006	NUT	2				
4	90202-30235	WASHER, PLATE	1				
5	4XV-23415-01	COVER, BALL RACE 1	1				
6	90201-28017	WASHER, PLATE	1				
7	90170-28419	NUT	1				
8	BC3-W2341-00	CROWN HANDLE	1				
9	BBW-23442-00	HOLDER, HANDLE LOWER	1				
10	BBW-2334H-00	BRACKET 2	1				
11	90201-10043	WASHER, PLATE	2				
12	95602-10100	NUT, U	2				
13	91312-08030	BOLT, HEXAGON SOCKET HEAD	2				
14	90105-10211	BOLT, FLANGE	2				
15	90110-08132	BOLT, HEXAGON SOCKET HEAD	4				
16	BBW-2334G-00	BRACKET 1	1				
17	90480-13567	GROMMET	1				
18	BC3-23857-00	HOLDER	1				
19	92012-06010	BOLT, BUTTON HEAD	1				
20	BMP-W000B-00	STEERING BEARING KIT	1				AP

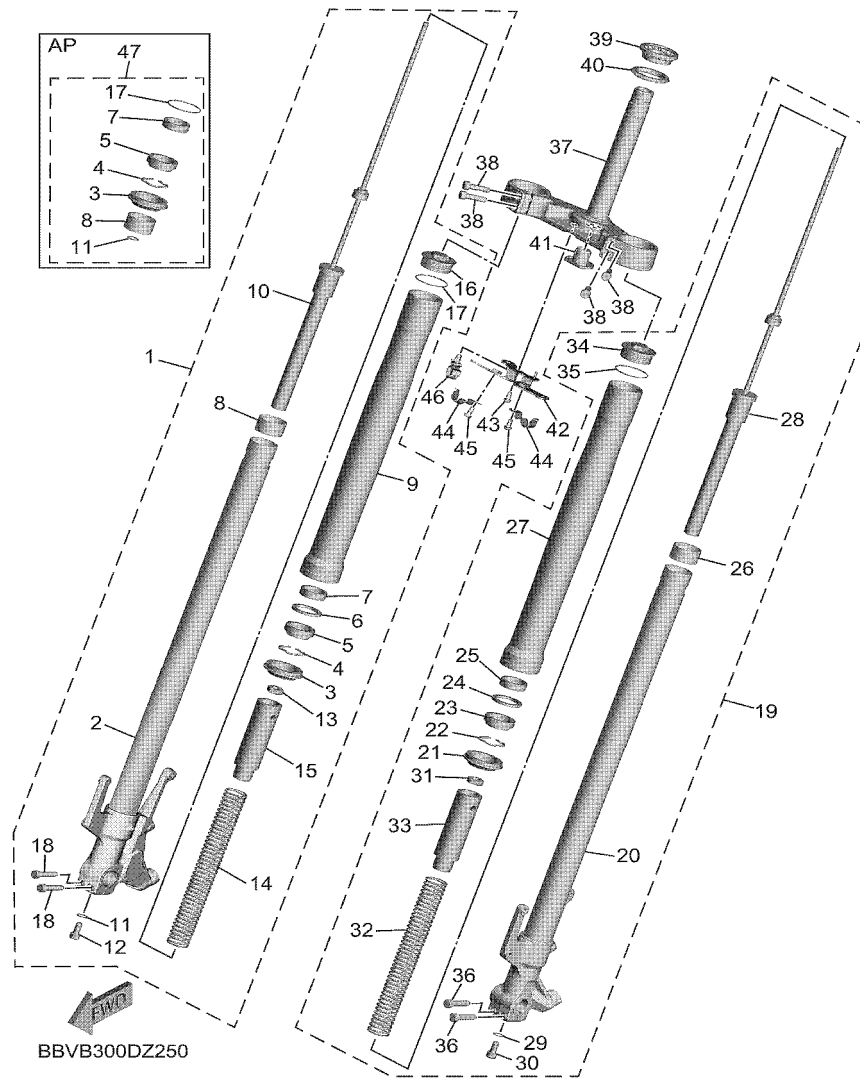
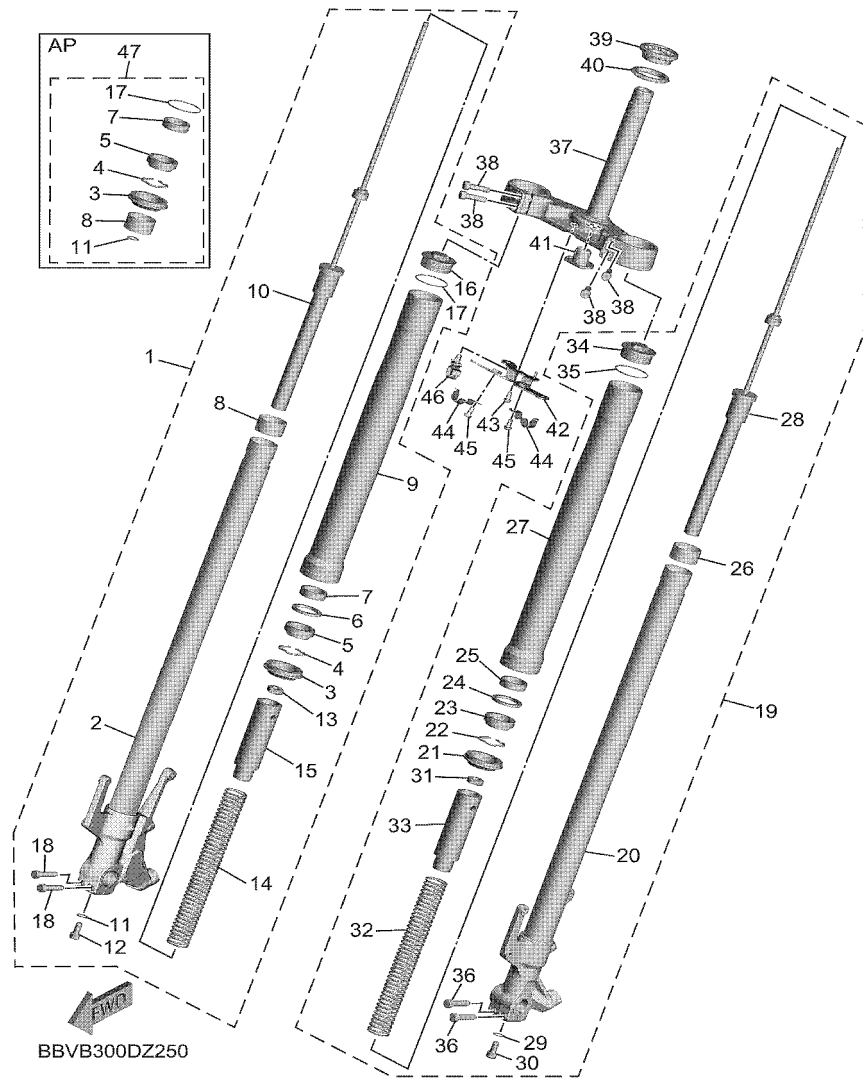


FIG. 25 FRONT FORK

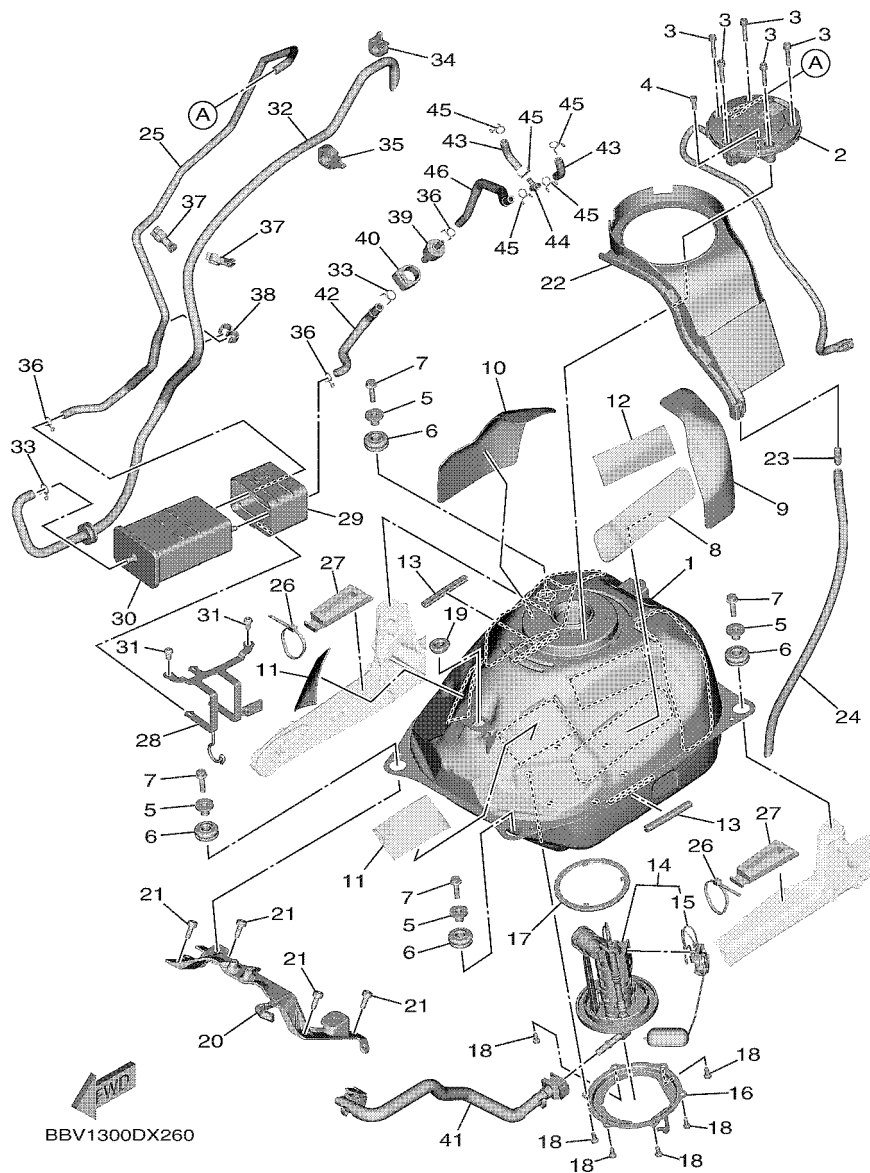
REF. NO.	PART NO.	DESCRIPTION	BTL2				REMARKS
1	BBW-23103-00	FRONT FORK ASSY (R.H)	1				
2	BC3-23110-01	.INNER TUBE COMP.1	1				
3	4EB-23144-00	.SEAL, DUST	1				
4	26H-23156-00	.RING, SNAP	1				
5	4EB-23145-01	.OIL SEAL	1				
6	36Y-23146-10	.WASHER, OIL SEAL	1				
7	1RC-23125-00	.METAL, SLIDE 1	1				
8	4FM-23171-40	.METAL, SLIDE	1				
9	BC3-23126-00	.TUBE, OUTER (L.H)	1				
10	B7M-23170-10	.CYLINDER COMP., FRONT FORK	1				
11	509-23158-L0	.GASKET	1				(KYB)
12	278-23181-50	.BOLT, HEXAGON SOCKET HEAD	1				
13	3LC-23357-00	.NUT	1				
14	B7M-23141-00	.SPRING, FRONT FORK	1				
15	5VY-23118-00	.SPACER	1				
16	2PW-23111-00	.BOLT, CAP	1				
17	39P-23147-00	.O-RING	1				
18	91314-08040	.BOLT, HEXAGON SOCKET HEAD	2				
19	BBW-23102-00	FRONT FORK ASSY (L.H)	1				
20	BC3-23120-01	.INNER TUBE COMP.2	1				
21	4EB-23144-00	.SEAL, DUST	1				
22	26H-23156-00	.RING, SNAP	1				
23	4EB-23145-01	.OIL SEAL	1				
24	36Y-23146-10	.WASHER, OIL SEAL	1				
25	1RC-23125-00	.METAL, SLIDE 1	1				
26	4FM-23171-40	.METAL, SLIDE	1				
27	BC3-23126-00	.TUBE, OUTER (L.H)	1				

FIG. 25 FRONT FORK



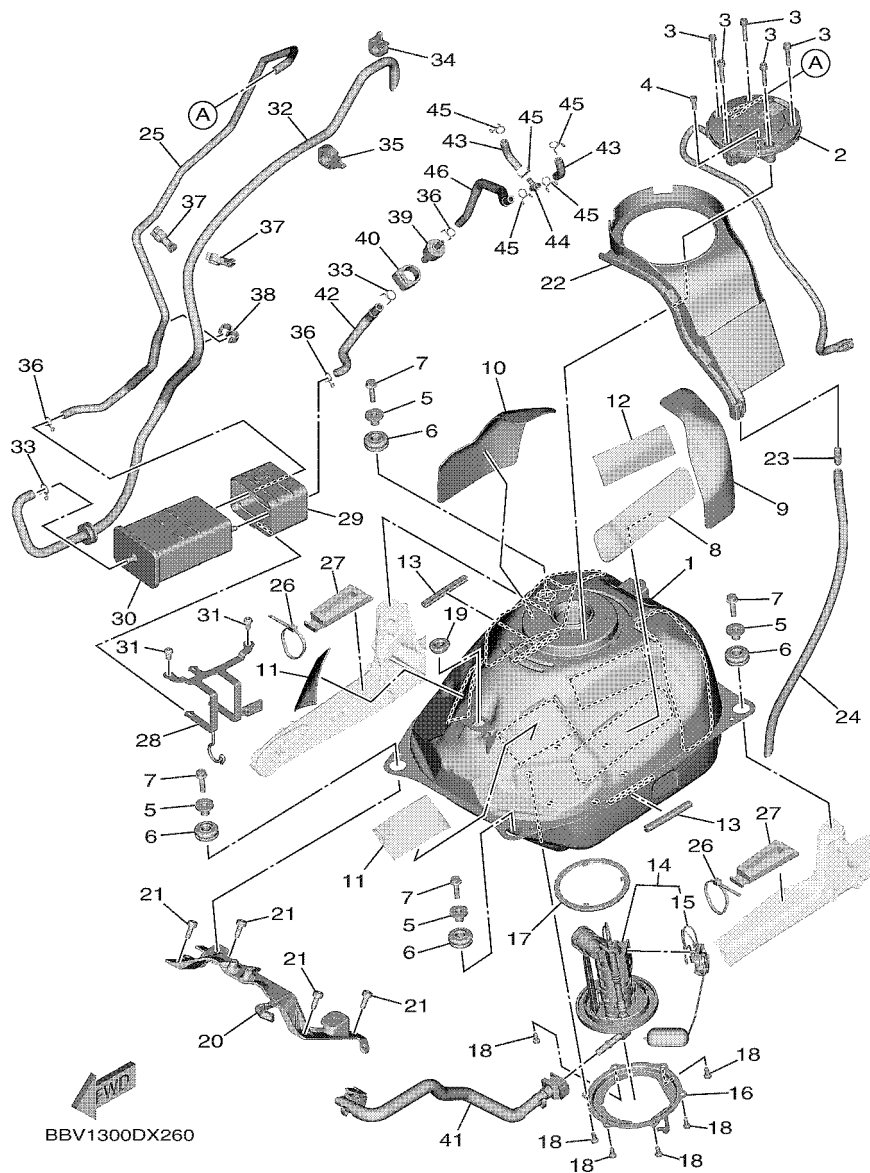
REF. NO.	PART NO.	DESCRIPTION	BTL2				REMARKS
28	BBW-23170-00	.CYLINDER COMP., FRONT FORK	1				
29	509-23158-L0	.GASKET	1				(KYB)
30	278-23181-50	.BOLT, HEXAGON SOCKET HEAD	1				
31	3LC-23357-00	.NUT	1				
32	B7M-23141-00	.SPRING, FRONT FORK	1				
33	5VY-23118-00	.SPACER	1				
34	2PW-23111-00	.BOLT, CAP	1				
35	39P-23147-00	.O-RING	1				
36	91314-08040	.BOLT, HEXAGON SOCKET HEAD	2				
37	BC3-23340-00	UNDER BRACKET COMP.	1				
38	91312-08030	BOLT, HEXAGON SOCKET HEAD	4				
39	93399-99957	BEARING	1				
40	3FV-23462-00	SEAL, STEERING	1				
41	5PB-23123-00	COVER, UNDER 1	1				
42	BBW-2317E-00	STAY 1	1				
43	92017-06012	BOLT, BUTTON HEAD	1				
44	BBW-2317F-00	STAY 2	2				
45	92012-06012	BOLT, BUTTON HEAD	2				
46	90464-16012	CLAMP	1				
47	BBV-W003B-00	FORK SEALS KIT	1				AP

FIG. 26 FUEL TANK



REF. NO.	PART NO.	DESCRIPTION	BTL2				REMARKS
1	BBW-24110-00	FUEL TANK COMP.	1				
2	BBW-24610-01	CAP ASSY	1				
3	90110-05082	BOLT, HEXAGON SOCKET HEAD	5				
4	90110-05081	BOLT, HEXAGON SOCKET HEAD	1				
5	90387-062U9	COLLAR	4				
6	BBW-24339-00	GROMMET	4				
7	95D32-06025	BOLT, FLANGE DEEP RECESS	4				
8	BBW-2414H-00	DAMPER, PLATE 1	1				
9	BBW-2414J-00	DAMPER, PLATE 2	1				
10	BBW-2414K-00	DAMPER, PLATE 3	1				
11	90520-02016	DAMPER, PLATE	2				
12	3D8-2177M-00	DAMPER, LOCATING 3	1				
13	31A-24188-01	MOLD, FUEL TANK	2				
14	BBW-13907-00	FUEL PUMP COMP.	1				
15	BBW-85752-00	.SENDER	1				
16	BC3-24491-00	BRACKET, FUEL PUMP	1				
17	1S4-24486-00	O-RING	1				
18	91312-05010	BOLT, HEXAGON SOCKET HEAD	6				
19	90480-01558	GROMMET	1				
20	B7M-21345-00	BRACKET, TANK FITTING	1				
21	90110-06335	BOLT, HEXAGON SOCKET HEAD	4				
22	BBW-2414A-00	COVER, FILLER	1				
23	4JP-21753-00	BOSS, CONNECTOR	1				
24	BC3-24318-00	PIPE, OVERFLOW	1				
25	BBW-24313-00	PIPE 3	1				
26	1UA-82591-00	BAND	2				
27	BC3-24184-00	DAMPER, LOCATING 4	2				

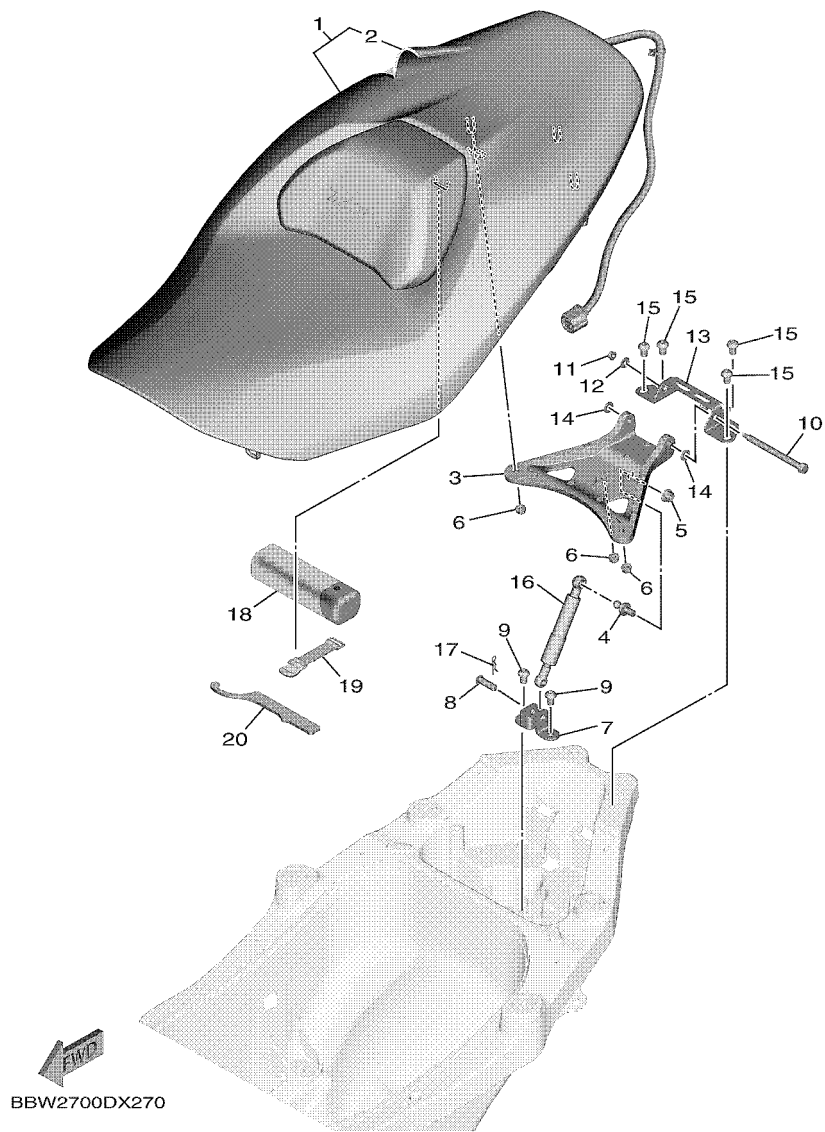
FIG. 26 FUEL TANK



BBV1300DX260

REF. NO.	PART NO.	DESCRIPTION	BTL2				REMARKS
28	BBW-2419F-00	BRACKET, CANISTOR	1				
29	BC3-24183-00	DAMPER, LOCATING 3	1				
30	BC3-24170-00	CANISTER ASSY	1				
31	92012-06010	BOLT, BUTTON HEAD	2				
32	BBW-24316-00	PIPE 6	1				
33	90467-110A3	CLIP	2				
34	90464-12M58	CLAMP	1				
35	90464-14012	CLAMP	1				
36	90467-090A2	CLIP	3				
37	90464-20070	CLAMP	2				
38	90464-09M31	CLAMP	1				
39	B1X-F4421-00	VALVE, CHECK	1				
40	BBW-2419A-00	HOLDER	1				
41	BBW-13971-00	PIPE, FUEL 1	1				
42	BBW-24317-00	PIPE 7	1				
43	B7M-14465-00	PIPE	2				
44	90413-06031	WAY 3	1				
45	90467-09006	CLIP	5				
46	BBW-13758-00	PIPE, JOINT	1				

FIG. 27 SEAT



REF. NO.	PART NO.	DESCRIPTION	BTL2				REMARKS
1	BBW-24730-00	DOUBLE SEAT ASSY	1				
2	BBW-24731-00	.COVER, SEAT	1				
3	BBW-24726-00	HINGE, SEAT	1				
4	4B5-2474E-00	ARM	1				
5	95602-08200	NUT, U FLANGE	1				
6	95602-06200	NUT, SELF-LOCKING	3				
7	BBW-24718-00	BRACKET, SEAT	1				
8	BBW-2476F-00	PIN, GUIDE	1				
9	92012-08012	BOLT, BUTTON HEAD	2				
10	90109-05021	BOLT	1				
11	95602-05200	NUT, SELF-LOCKING	1				
12	90201-05042	WASHER, PLATE	1				
13	BBW-24769-00	HINGE, SEAT	1				
14	90201-080E2	WASHER, PLATE	2				
15	92012-08012	BOLT, BUTTON HEAD	4				
16	BBW-2478G-01	STOPPER	1				
17	90468-16001	CLIP	1				
18	BBW-28100-10	TOOL KIT	1				
19	21V-21376-00	BAND, TOOL	1				
20	1RC-28135-00	SPANNER, SPECIAL	1				

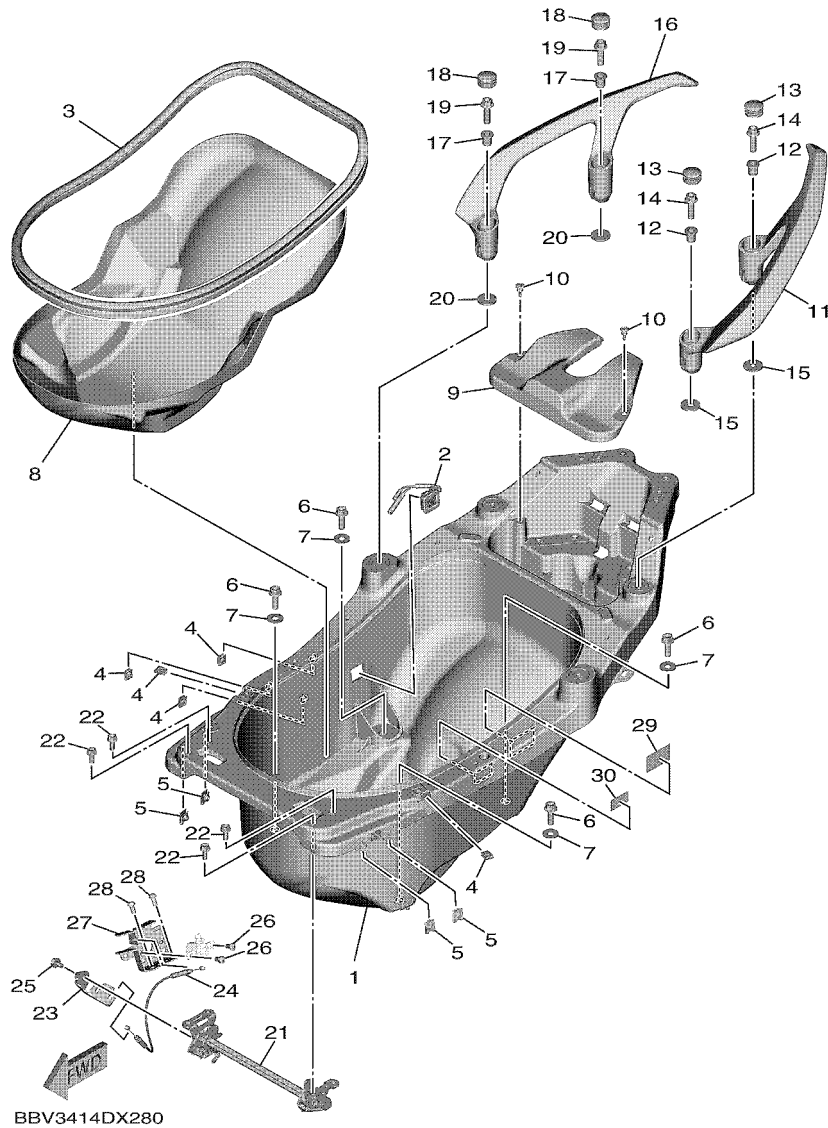


FIG. 28 SEAT 2

REF. NO.	PART NO.	DESCRIPTION	BTL2	REMARKS
1	BBW-2473R-00	BOX 1	1	
2	B74-H4770-00	LAMP, ACCESSORY	1	
3	BBW-2173M-00	SEAL 3	1	
4	90183-05076	NUT, SPRING	5	
5	90183-060A6	NUT, SPRING	4	
6	95D32-08025	BOLT, FLANGE DEEP RECESS	4	
7	90201-08103	WASHER, PLATE	4	
8	BBW-24747-00	DAMPER, SEAT	1	
9	BBW-2471P-00	PLATE, COVER	1	
10	90269-06008	RIVET	2	
11	BBW-2474A-00-P4	ASSIST, GRIP	1	UR FOR MDNM6
	BBW-2474A-00-P5	ASSIST, GRIP	1	UR FOR MDRNP1
12	90387-08128	COLLAR	2	
13	4B5-2476U-00	PROTECTOR 1	2	
14	90105-08150	BOLT, FLANGE	2	
15	90201-08122	WASHER, PLATE	2	
16	BBW-2474W-00-P4	ASSIST,GRIP 2	1	UR FOR MDNM6
	BBW-2474W-00-P5	ASSIST,GRIP 2	1	UR FOR MDRNP1
17	90387-08128	COLLAR	2	
18	4B5-2476U-00	PROTECTOR 1	2	
19	90105-08150	BOLT, FLANGE	2	
20	90201-08122	WASHER, PLATE	2	
21	BBW-24780-00	SEAT LOCK ASSY	1	
22	95D32-06016	BOLT, FLANGE DEEP RECESS	4	
23	BBW-24885-00	GUIDE, WIRE	1	
24	BBW-2479D-00	WIRE, SEAT LOCK 2	1	
25	95D32-06010	BOLT, FLANGE DEEP RECESS	1	

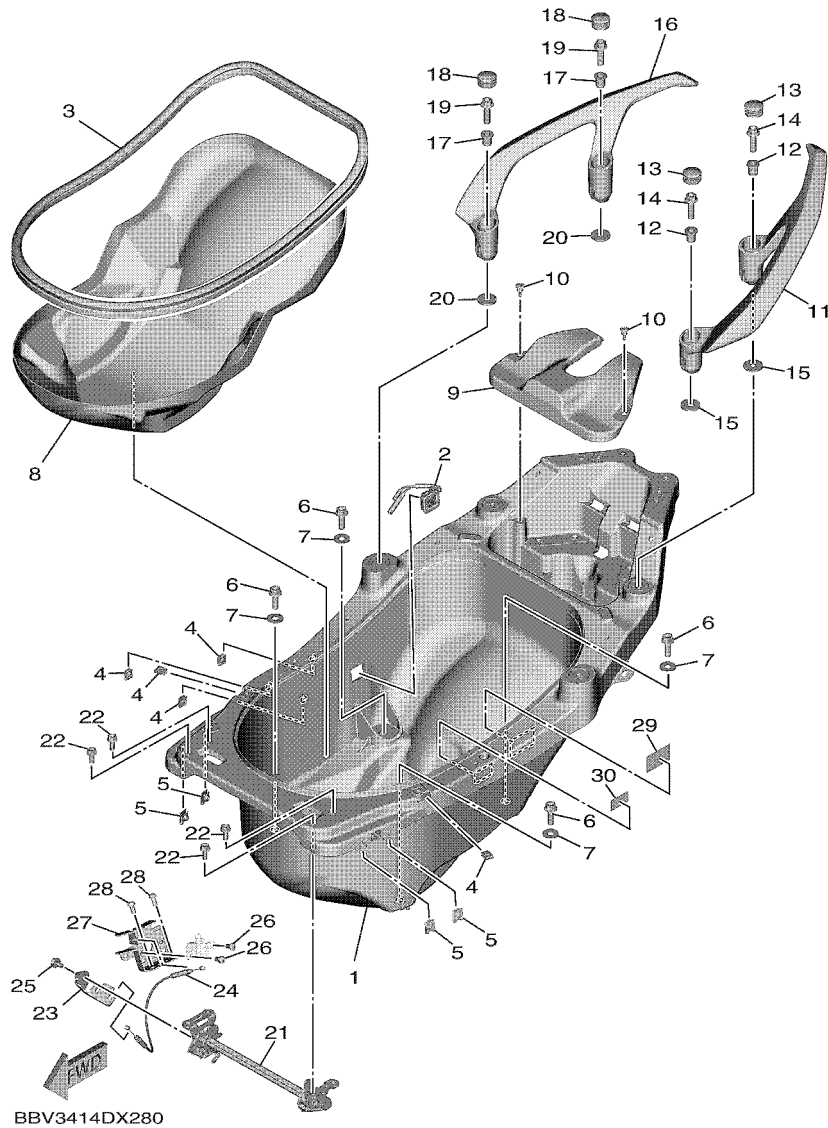


FIG. 28 SEAT 2

REF. NO.	PART NO.	DESCRIPTION	BTL2				REMARKS
26	92012-06012	BOLT, BUTTON HEAD	2				
27	BBW-2117K-00	STAY, LOCK	1				
28	92012-06012	BOLT, BUTTON HEAD	2				
29	BC3-21668-01	LABEL, TIRE	1				
30	3LD-24877-A1	LABEL, CAUTION	1				

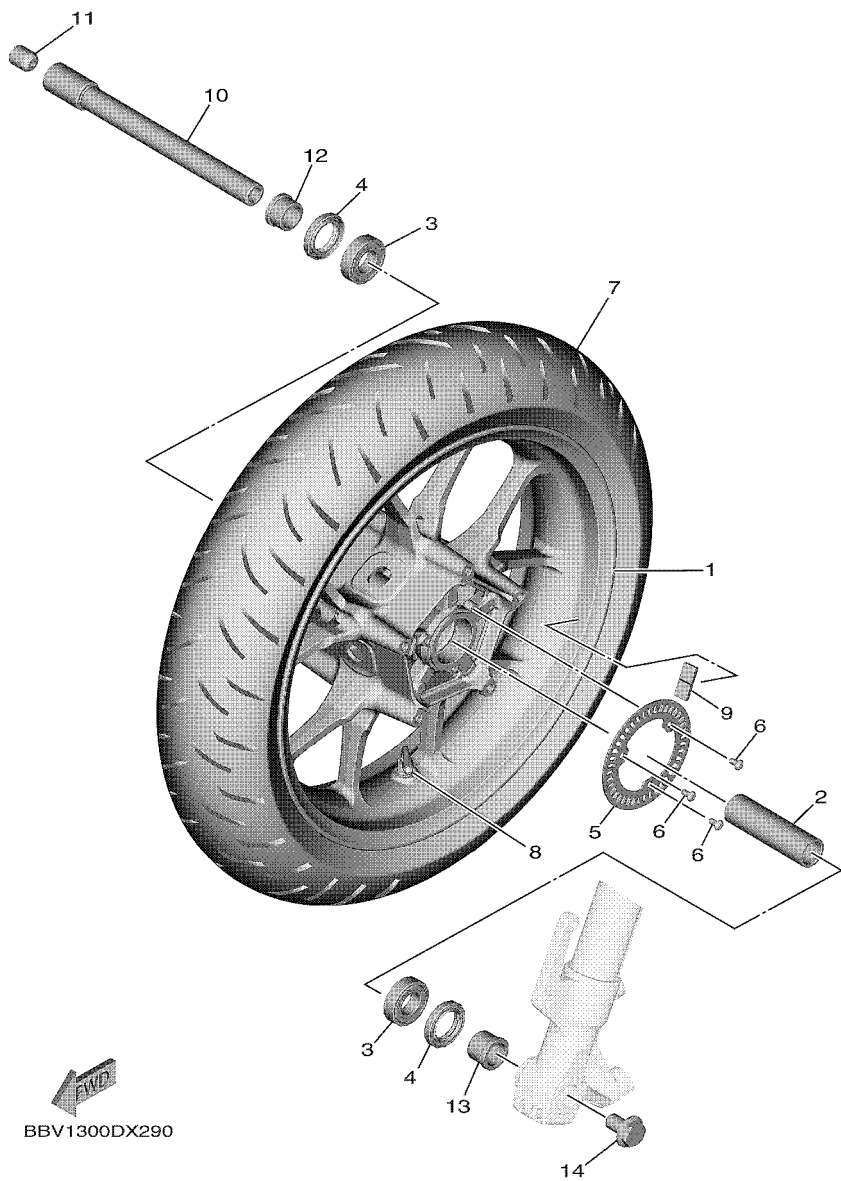
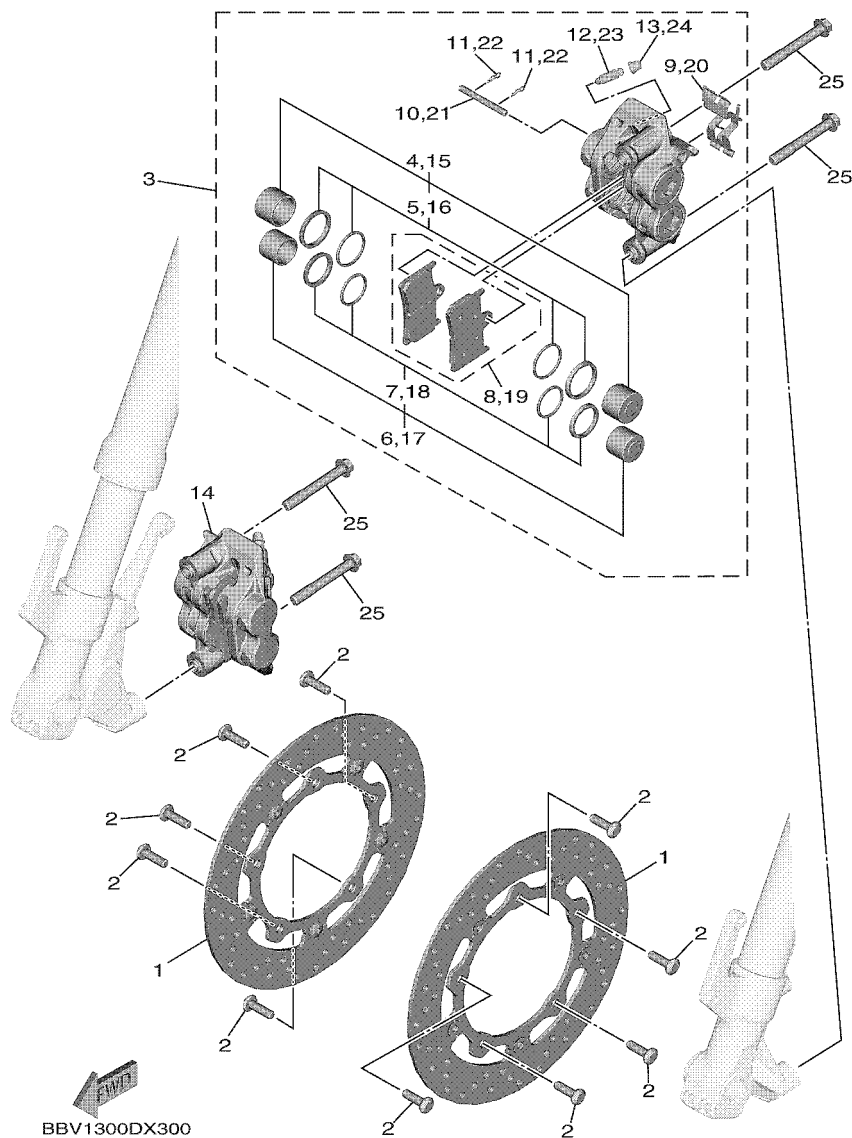


FIG. 29 FRONT WHEEL

REF. NO.	PART NO.	DESCRIPTION	BTL2				REMARKS
1	BBW-25168-00-98	CAST WHEEL, FRONT	1				LGB
2	5EA-25117-00	SPACER, BEARING	1				
3	93306-07208	BEARING	2				
4	93106-28043	OIL SEAL	2				
5	2DR-2517G-00	ROTOR, SENSOR	1				
6	90149-05030	SCREW	3				
7	94112-15020	TIRE (120/70R15M/C 56H)	1				BRIDGESTONE
8	93900-00025	VALVE, RIM (PVR59A)	1				TAIHEIYO
9	23P-25398-00	BALANCER, WHEEL	1				UN
10	BC3-25181-00	AXLE, WHEEL	1				
11	5PW-25188-00	CAP	1				
12	90387-22016	COLLAR	1				
13	90387-22030	COLLAR	1				
14	90105-14002	BOLT, FLANGE	1				

FIG. 30 FRONT BRAKE CALIPER



REF. NO.	PART NO.	DESCRIPTION	BTL2				REMARKS
1	BBW-2581T-00	DISK BRAKE ASSY	2				
2	90109-083G4	BOLT	10				
3	2PW-2580T-20	CALIPER ASSY (LEFT)	1				
4	4SV-25802-10	.PISTON ASSY, CALIPER	1				
5	3GM-25803-10	..CALIPER SEAL KIT	1				
6	4SV-25802-00	.PISTON ASSY, CALIPER	1				
7	3MA-25803-10	..CALIPER SEAL KIT	1				
8	4B5-25805-00	.BRAKE PAD KIT	1				
9	13S-25919-00	.SUPPORT, PAD	1				
10	4SV-25924-00	.PIN, PAD	1				
11	3GM-25925-00	..CLIP	2				
12	1J3-25824-00	.SCREW, BLEED	1				
13	306-25825-01	.CAP	1				
14	2PW-2580U-20	CALIPER ASSY (RIGHT)	1				
15	4SV-25802-10	.PISTON ASSY, CALIPER	1				
16	3GM-25803-10	..CALIPER SEAL KIT	1				
17	4SV-25802-00	.PISTON ASSY, CALIPER	1				
18	3MA-25803-10	..CALIPER SEAL KIT	1				
19	4B5-25805-00	.BRAKE PAD KIT	1				
20	13S-25919-00	.SUPPORT, PAD	1				
21	4SV-25924-00	.PIN, PAD	1				
22	3GM-25925-00	..CLIP	2				
23	1J3-25824-00	.SCREW, BLEED	1				
24	306-25825-01	.CAP	1				
25	90105-10440	BOLT, FLANGE	4				

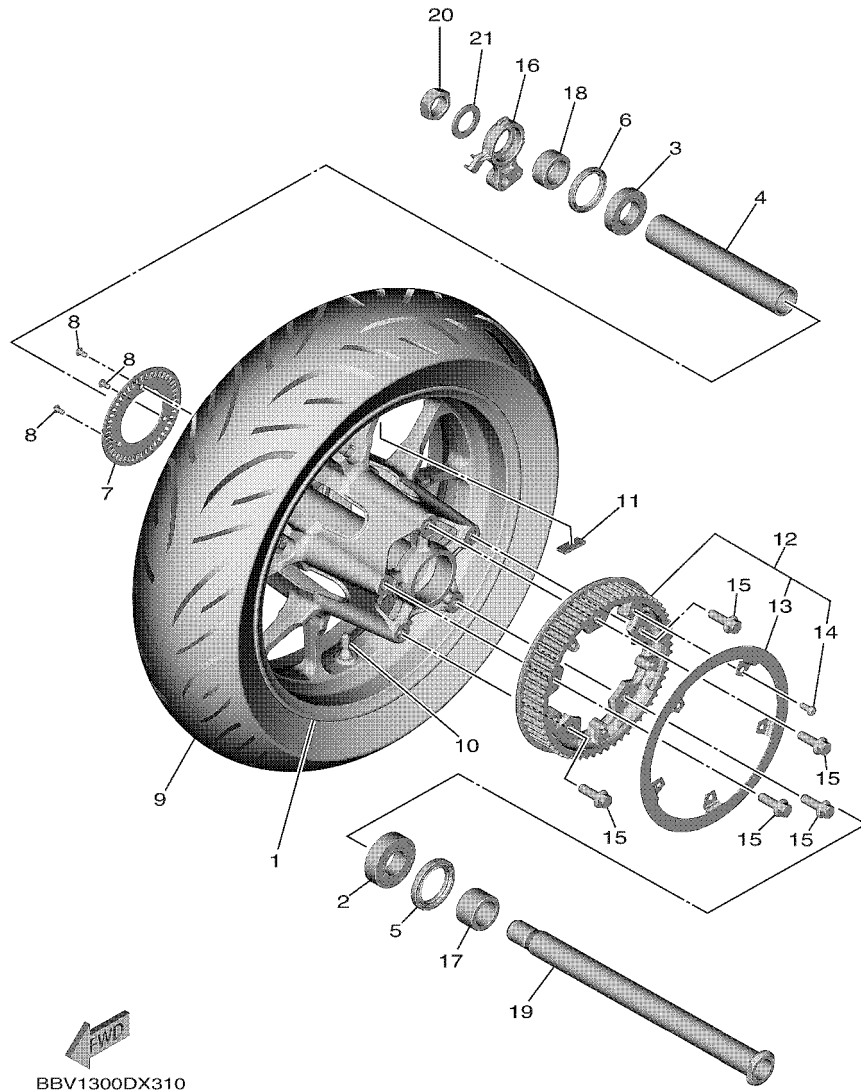
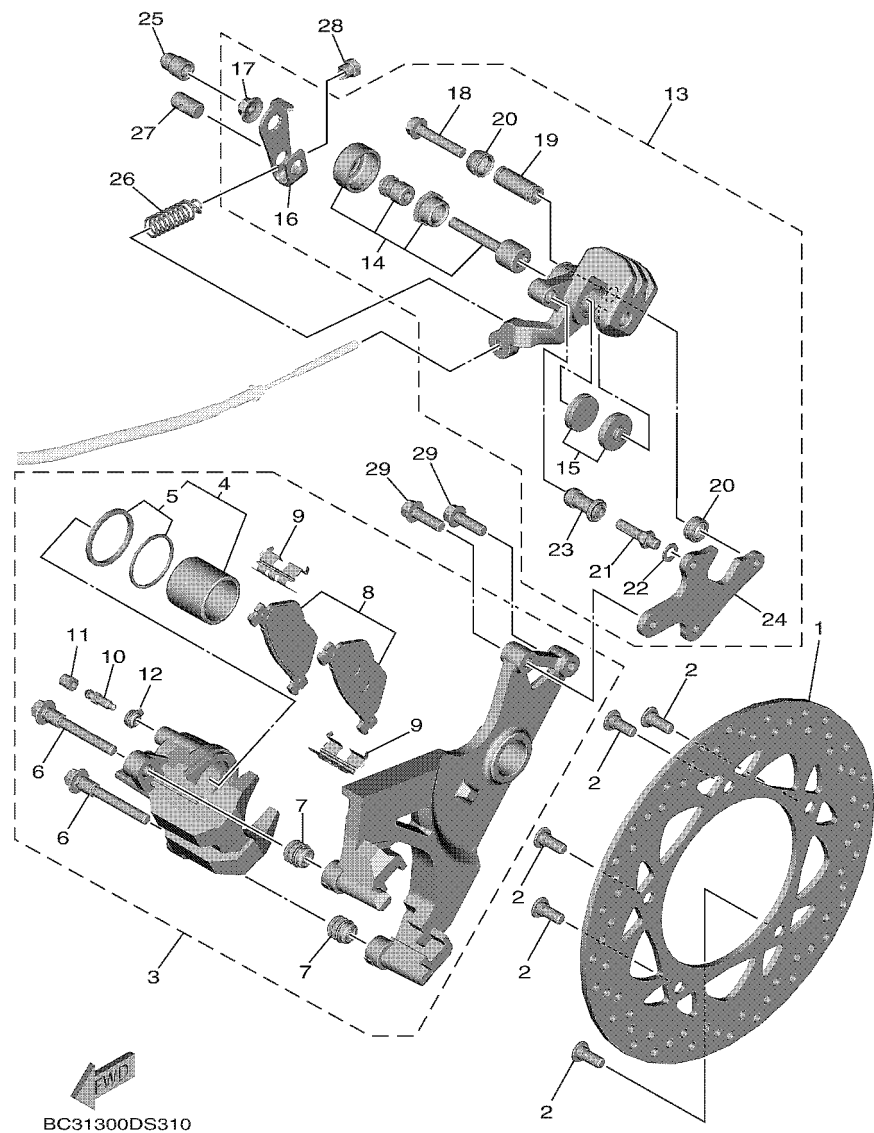


FIG. 31 REAR WHEEL

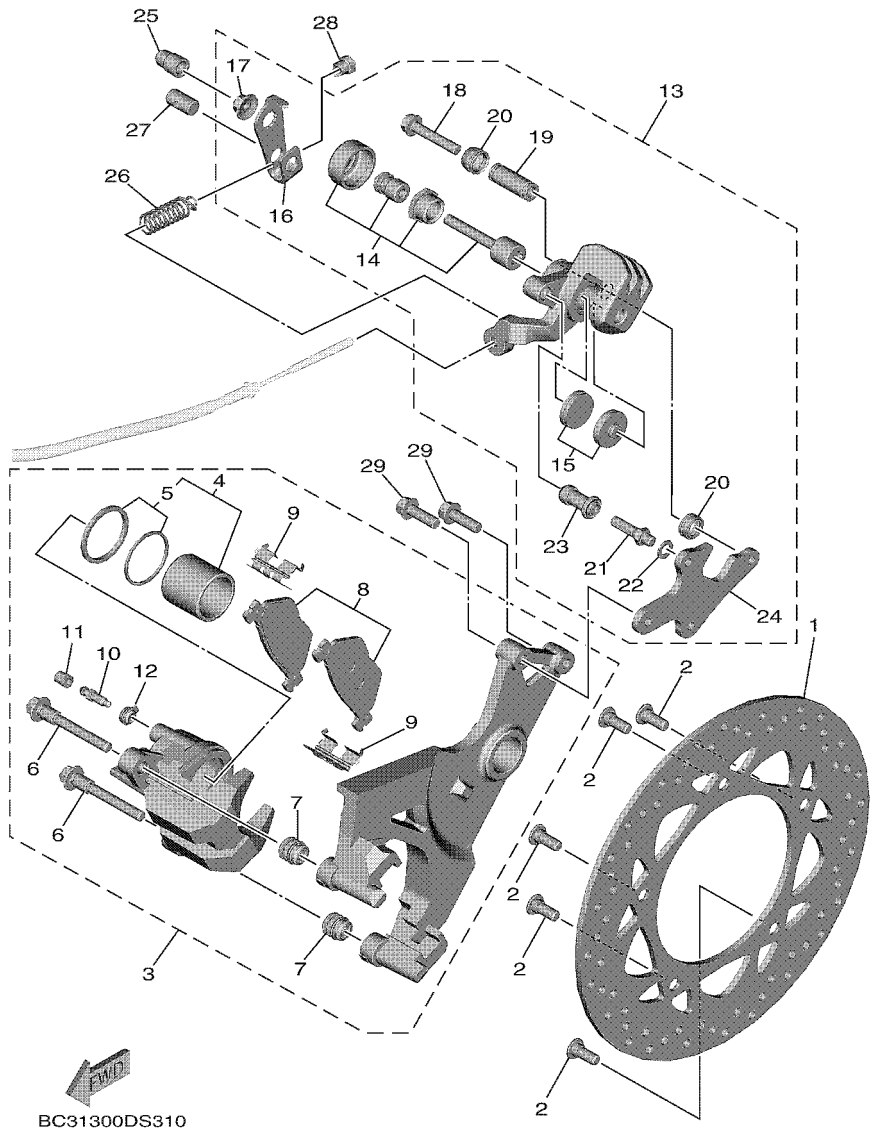
REF. NO.	PART NO.	DESCRIPTION	BTL2				REMARKS
1	BBW-25338-00-98	CAST WHEEL, REAR	1				LGB
2	93306-205B5	BEARING	1				
3	93306-07809	BEARING	1				
4	59C-25317-01	SPACER, BEARING	1				
5	93106-40013	OIL SEAL	1				
6	93106-40027	OIL SEAL	1				
7	1XC-2517G-00	ROTOR, SENSOR	1				
8	90149-05030	SCREW	3				
9	94116-15024	TIRE (160/60R15M/C 67H)	1				BRIDGESTONE
10	93900-00030	VALVE, RIM (TR412)	1				TAIHEIYO
11	23P-25398-00	BALANCER, WHEEL	1				UN
12	BC3-25470-00	SPROCKET, DRIVEN (59T)	1				
13	BC3-27883-00	.GEAR, RING	1				
14	90111-06064	.BOLT, HEXAGON SOCKET BUTTON	5				
15	90105-10237	BOLT, FLANGE	5				
16	2PW-2537A-00	HOUSING, SENSOR REAR	1				
17	BC3-25376-00	COLLAR, WHEEL	1				
18	2PW-25377-10	COLLAR, WHEEL	1				
19	BC3-25381-00	AXLE, WHEEL	1				
20	90185-24002	NUT, SELF-LOCKING	1				
21	90201-25020	WASHER, PLATE	1				

FIG. 32 REAR BRAKE CALIPER



REF. NO.	PART NO.	DESCRIPTION	BTL2				REMARKS
1	59C-2582W-00	DISK, REAR BRAKE 2	1				
2	90149-08009	SCREW	5				
3	59C-2580W-01	CALIPER ASSY, REAR 2	1				
4	59C-25802-00	.PISTON ASSY, CALIPER	1				
5	59C-25803-00	..CALIPER SEAL KIT	1				
6	59C-25914-00	.PIN, SLIDE	2				
7	4TT-25937-00	.BOOT 2	2				
8	59C-25806-00	.BRAKE PAD KIT 2	1				
9	5JW-25919-00	.SUPPORT, PAD	2				
10	5GM-25824-00	.SCREW, BLEED	1				
11	1D7-25825-00	.CAP	1				
12	5GM-25975-00	.RUBBER, BUSHING	1				
13	2PW-259A0-00	CALIPER ASSY 2	1				
14	59C-25802-50	.PISTON ASSY, CALIPER	1				
15	59C-25805-50	.BRAKE PAD KIT	1				
16	59C-259A3-00	.ARM	1				
17	59C-259A4-00	.NUT, ADJUSTING	1				
18	59C-25914-50	.PIN, SLIDE	1				
19	59C-25838-00	.SLEEVE, CALIPER	1				
20	1UY-25917-51	.BOOT, CALIPER	2				
21	1UY-25926-51	.BOLT	1				
22	1UY-25938-51	.WASHER, SPRING	1				
23	1UY-25937-51	.BOOT 2	1				
24	2PW-25921-50	.BRACKET, SUPPORT	1				
25	59C-25825-00	CAP	1				
26	59C-25333-00	SPRING, RETURN	1				
27	90249-12004	PIN	1				

FIG. 32 REAR BRAKE CALIPER



REF. NO.	PART NO.	DESCRIPTION	BTL2				REMARKS
28	90179-06018	NUT	1				
29	90105-08182	BOLT, FLANGE	2				

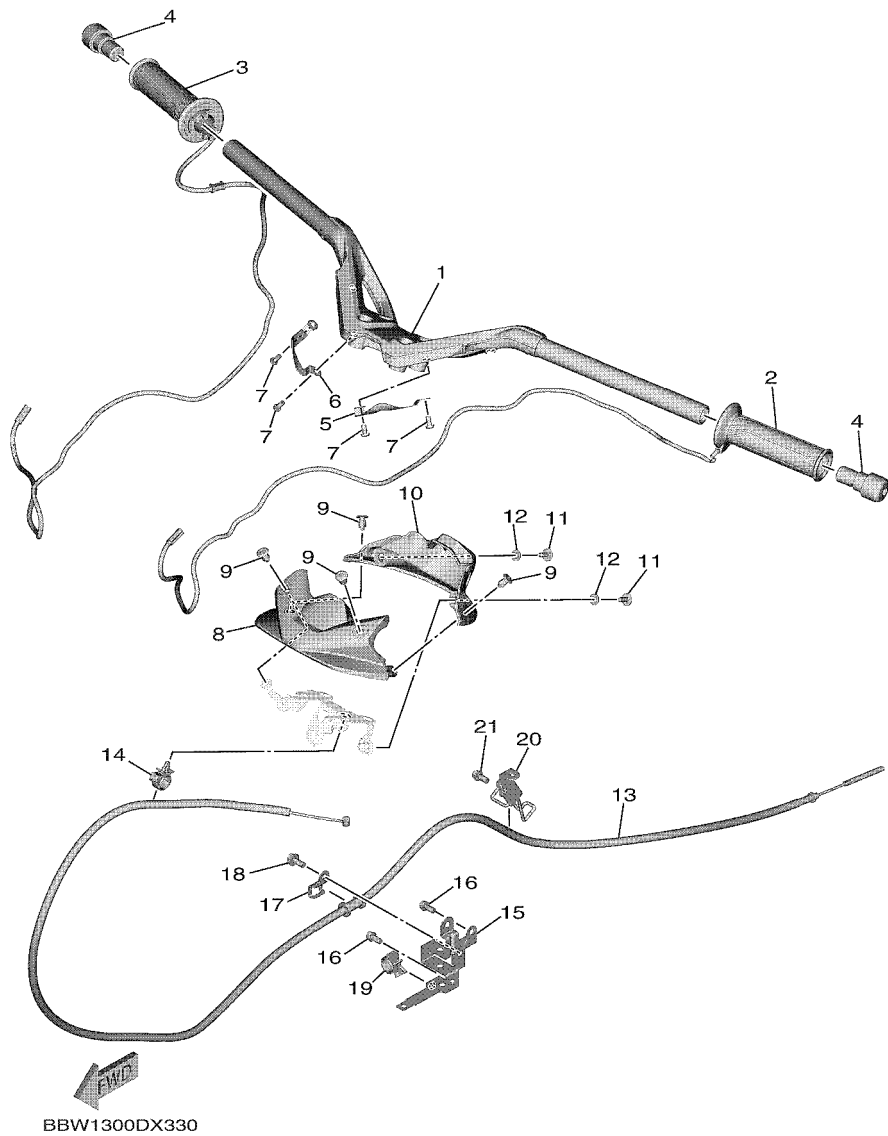
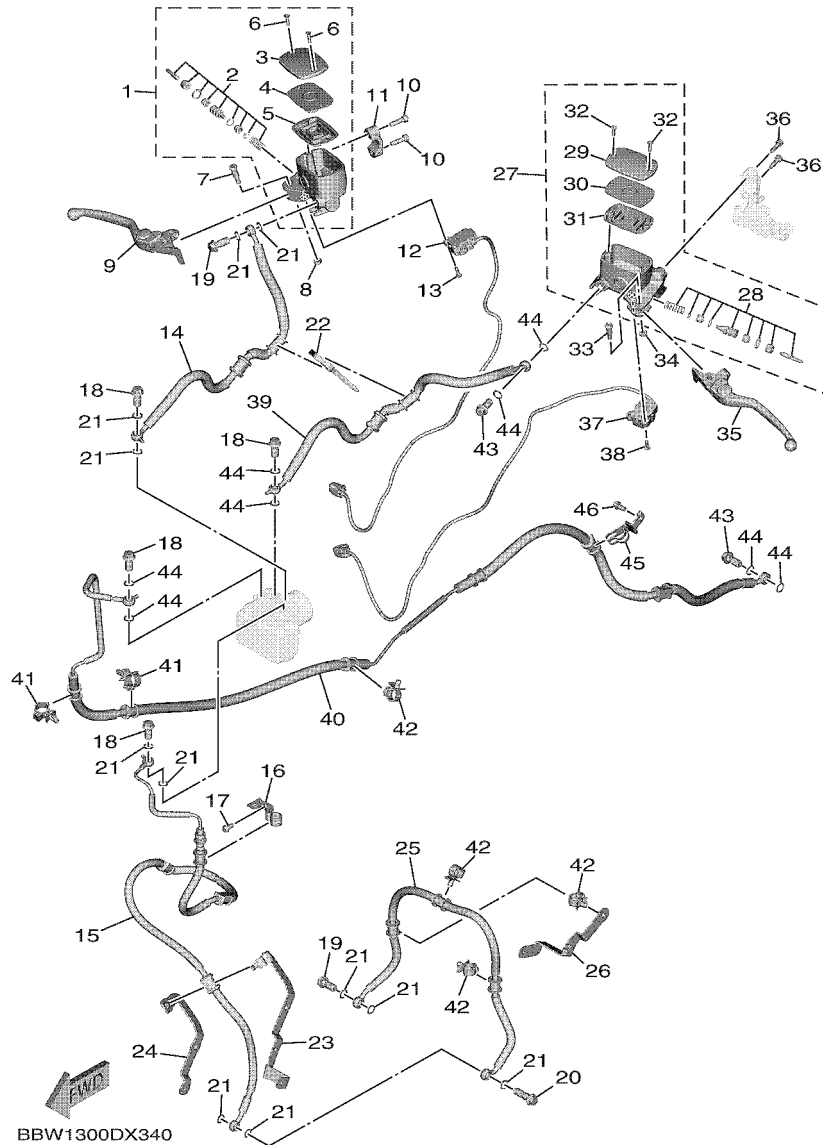


FIG. 33 STEERING HANDLE & CABLE

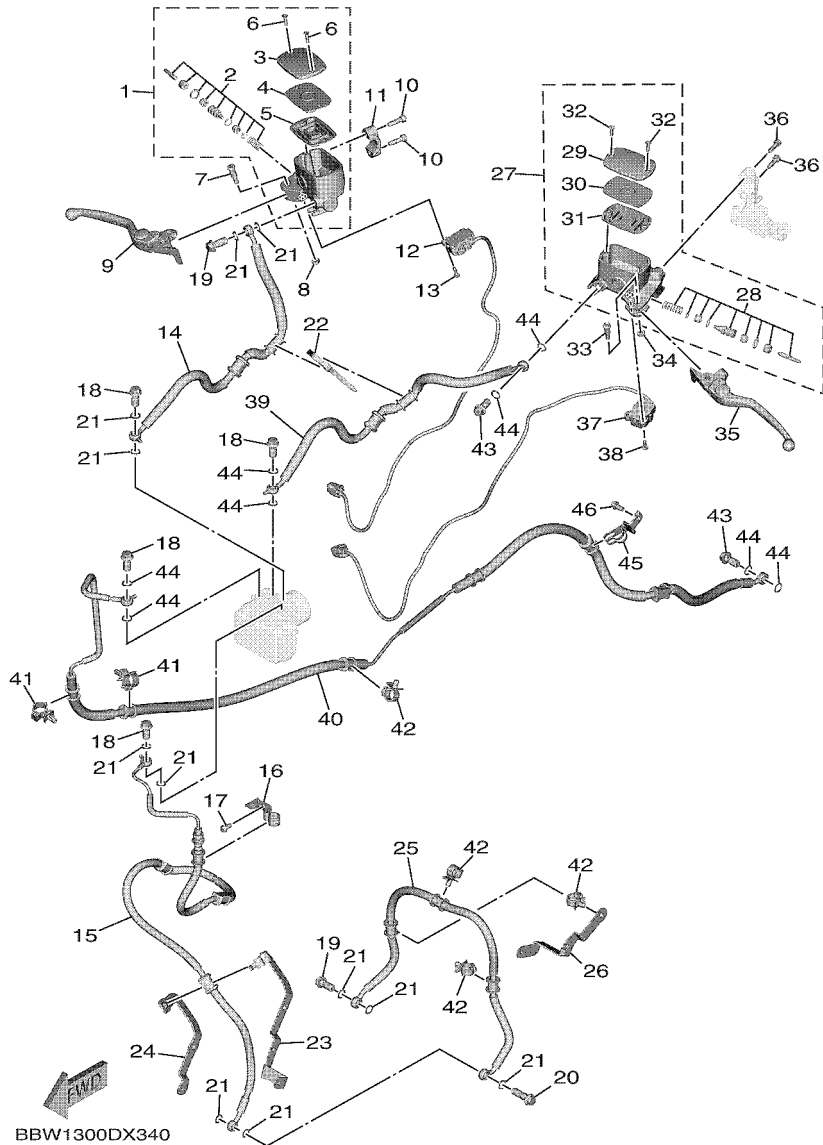
REF. NO.	PART NO.	DESCRIPTION	BTL2				REMARKS
1	BBW-26111-00	HANDLEBAR	1				
2	BBW-82963-00	GRIP, WARMER (LEFT)	1				
3	BBW-82960-00	GRIP, WARMER	1				
4	5EB-26246-00	END, GRIP	2				
5	BBW-26144-00	COVER, HANDLEBAR LOWER 1	1				
6	BBW-26146-00	COVER, HANDLEBAR LOWER 2	1				
7	98507-05010	SCREW, PAN HEAD	4				
8	BBW-26143-00	COVER, HANDLE UPPER 1	1				
9	90269-06019	RIVET	4				
10	BBW-26145-00	COVER, HANDLE UPPER 2	1				
11	90111-05002	BOLT, HEXAGON SOCKET BUTTON	2				
12	90387-05072	COLLAR	2				
13	BBW-2835X-00	WIRE	1				
14	90464-16006	CLAMP	1				
15	BBW-26279-00	GUIDE, CABLE	1				
16	95E32-06012	BOLT, FLANGE DEEP RECESS	2				
17	4B5-26131-00	GUIDE, CABLE 1	1				
18	95D32-06014	BOLT, FLANGE DEEP RECESS	1				
19	90464-16006	CLAMP	1				
20	BBW-27982-00	BRACKET, WIRE	1				
21	95E32-06012	BOLT, FLANGE DEEP RECESS	1				

FIG. 34 FRONT MASTER CYLINDER

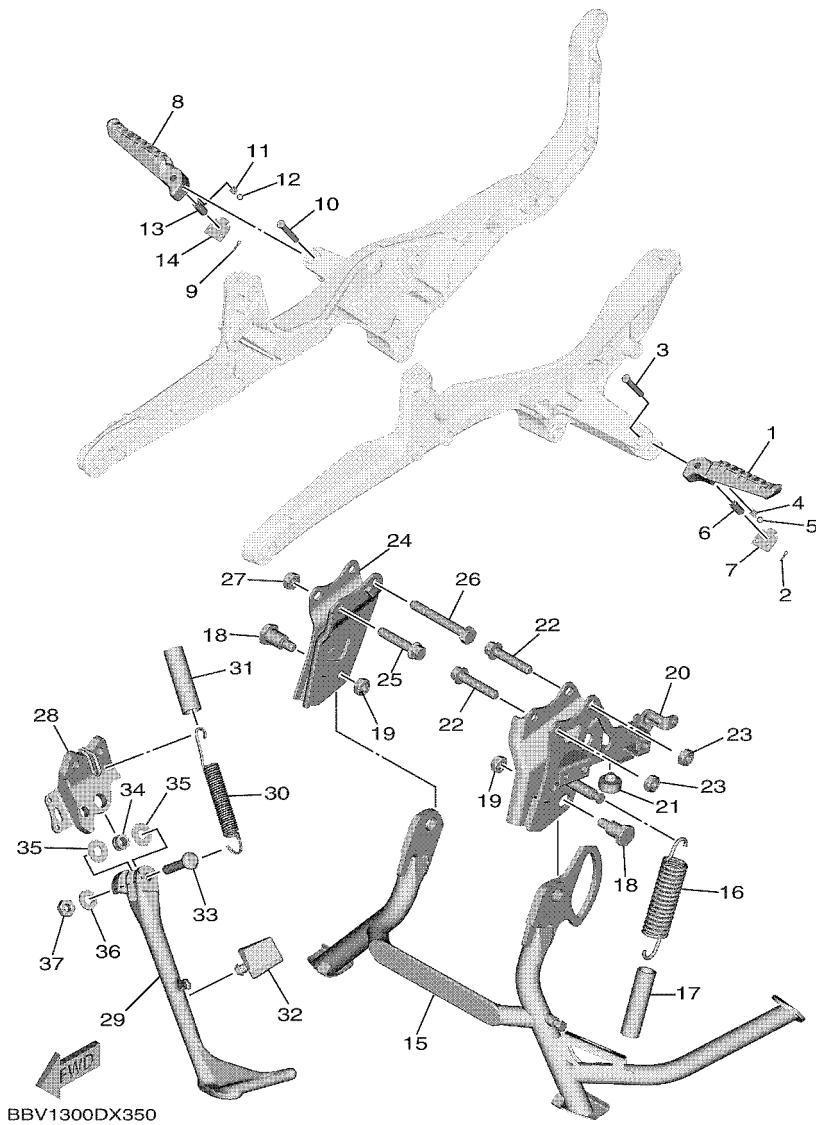


REF. NO.	PART NO.	DESCRIPTION	BTL2				REMARKS
1	BC3-2580A-00	MASTER CYLINDER SUB ASSY 2	1				
2	BC3-25807-00	.CYLINDER KIT, MASTER	1				
3	4B5-25852-00	.CAP, RESERVOIR	1				
4	4B5-25855-00	.BUSH,DIAPHRAGM	1				
5	4B5-25854-00	.DIAPHRAGM, RESERVOIR	1				
6	5VS-2589H-00	.SCREW	2				
7	5VS-2589F-00	BOLT, LEVER	1				
8	95617-06100	NUT, SELF-LOCKING	1				
9	2PW-83922-00	LEVER 2	1				
10	5VS-26332-00	BOLT	2				
11	5VS-25867-00	BRACKET, MASTER CYLINDER	1				
12	BBW-83980-00	FRONT STOP SWITCH ASSY	1				
13	97602-04214	SCREW, PAN HEAD WITH WASHER	1				
14	BBW-25874-01	HOSE, BRAKE 3	1				
15	BBW-25873-00	HOSE, BRAKE 2	1				
16	BBW-25887-00	HOLDER, BRAKE HOSE 3	1				
17	92012-06012	BOLT, BUTTON HEAD	1				
18	90401-10020	BOLT, UNION	4				
19	90401-10020	BOLT, UNION	2				
20	90401-10038	BOLT, UNION	1				
21	90430-10005	GASKET	11				
22	90460-15126	CLAMP, HOSE	1				
23	BBW-25875-00	HOLDER, BRAKE HOSE 1	1				
24	BBW-2612E-00	BRACKET	1				
25	BBW-2584D-00	HOSE, BRAKE	1				
26	BBW-25876-00	HOLDER, BRAKE HOSE 2	1				
27	BC3-2580A-10	MASTER CYLINDER SUB ASSY 2	1				

FIG. 34 FRONT MASTER CYLINDER



REF. NO.	PART NO.	DESCRIPTION	BTL2				REMARKS
28	BC3-25807-10	.CYLINDER KIT, MASTER	1				
29	4B5-25852-00	.CAP, RESERVOIR	1				
30	4B5-25855-00	.BUSH,DIAPHRAGM	1				
31	4B5-25854-00	.DIAPHRAGM, RESERVOIR	1				
32	5VS-2589H-00	.SCREW	2				
33	5VS-2589F-00	BOLT, LEVER	1				
34	95617-06100	NUT, SELF-LOCKING	1				
35	2PW-83912-00	LEVER 1	1				
36	5VS-26332-00	BOLT	2				
37	BBW-82917-00	SWITCH	1				
38	97602-04214	SCREW, PAN HEAD WITH WASHER	1				
39	BBW-2584B-01	HOSE, BRAKE	1				
40	BBW-2584C-00	HOSE, BRAKE	1				
41	90464-16012	CLAMP	2				
42	90464-14013	CLAMP	4				
43	90401-10020	BOLT, UNION	2				
44	90430-10005	GASKET	8				
45	BBW-25886-00	HOLDER, BRAKE HOSE	1				
46	95E32-06012	BOLT, FLANGE DEEP RECESS	1				



BBV1300DX350

FIG. 35 STAND & FOOTREST

REF. NO.	PART NO.	DESCRIPTION	BTL2				REMARKS
1	B7M-27431-00	FOOTREST, REAR 1	1				
2	91402-20012	PIN, COTTER	1				
3	91702-06038	PIN, CLEVIS	1				
4	90501-15001	SPRING, COMPRESSION	1				
5	93501-04011	BALL	1				
6	90387-064H8	COLLAR	1				
7	4B5-27437-00	WASHER, SPECIAL	1				
8	B7M-27441-00	FOOTREST, REAR 2	1				
9	91402-20012	PIN, COTTER	1				
10	91702-06038	PIN, CLEVIS	1				
11	90501-15001	SPRING, COMPRESSION	1				
12	93501-04011	BALL	1				
13	90387-064H8	COLLAR	1				
14	4B5-27437-00	WASHER, SPECIAL	1				
15	B7M-27111-00	STAND, MAIN	1				
16	90506-40007	SPRING, TENSION	1				
17	BC3-2247A-00	HOSE 1	1				
18	90109-10067	BOLT	2				
19	90185-10060	NUT, SELF-LOCKING	2				
20	BC3-27151-00	BRACKET, MAIN STAND	1				
21	36C-27114-00	STOPPER, MAIN STAND	1				
22	90105-10283	BOLT, FLANGE	2				
23	90185-10022	NUT, SELF-LOCKING	2				
24	B7M-27152-00	BRACKET, MAIN STAND 2	1				
25	90105-10283	BOLT, FLANGE	1				
26	90101-10046	BOLT	1				
27	90185-10022	NUT, SELF-LOCKING	1				

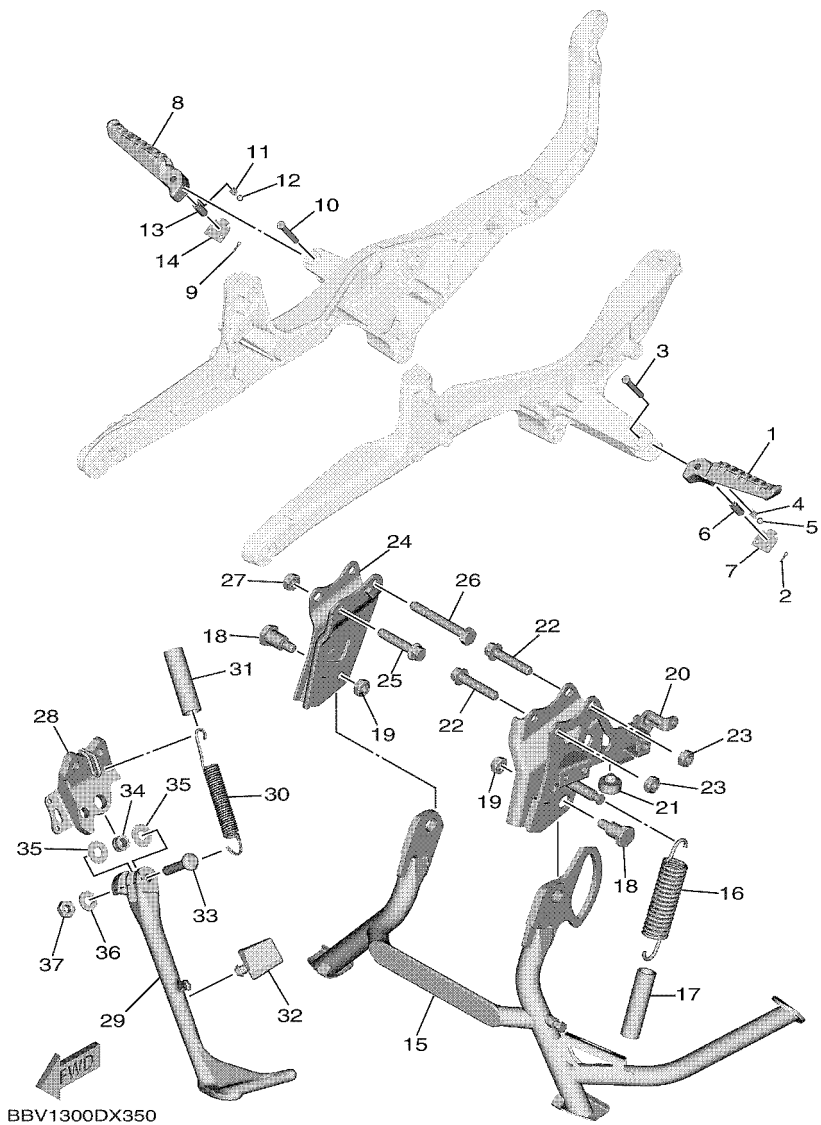
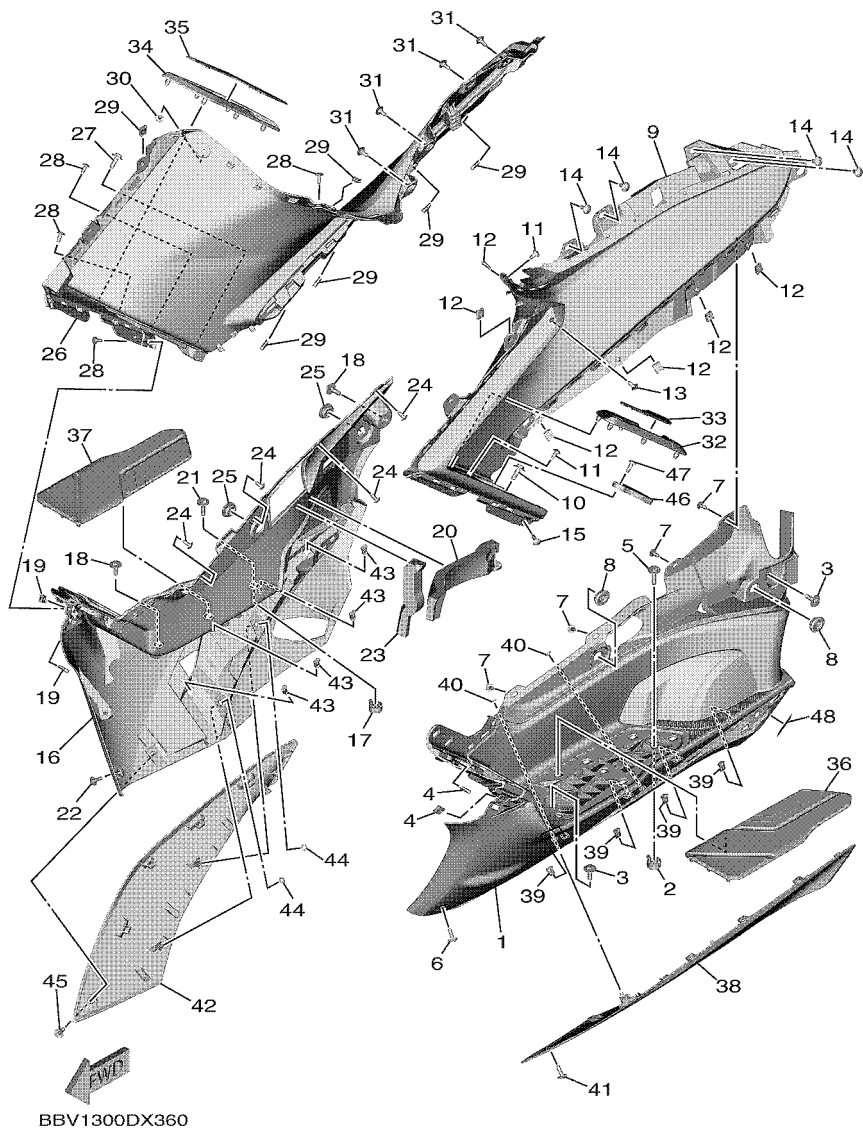


FIG. 35 STAND & FOOTREST

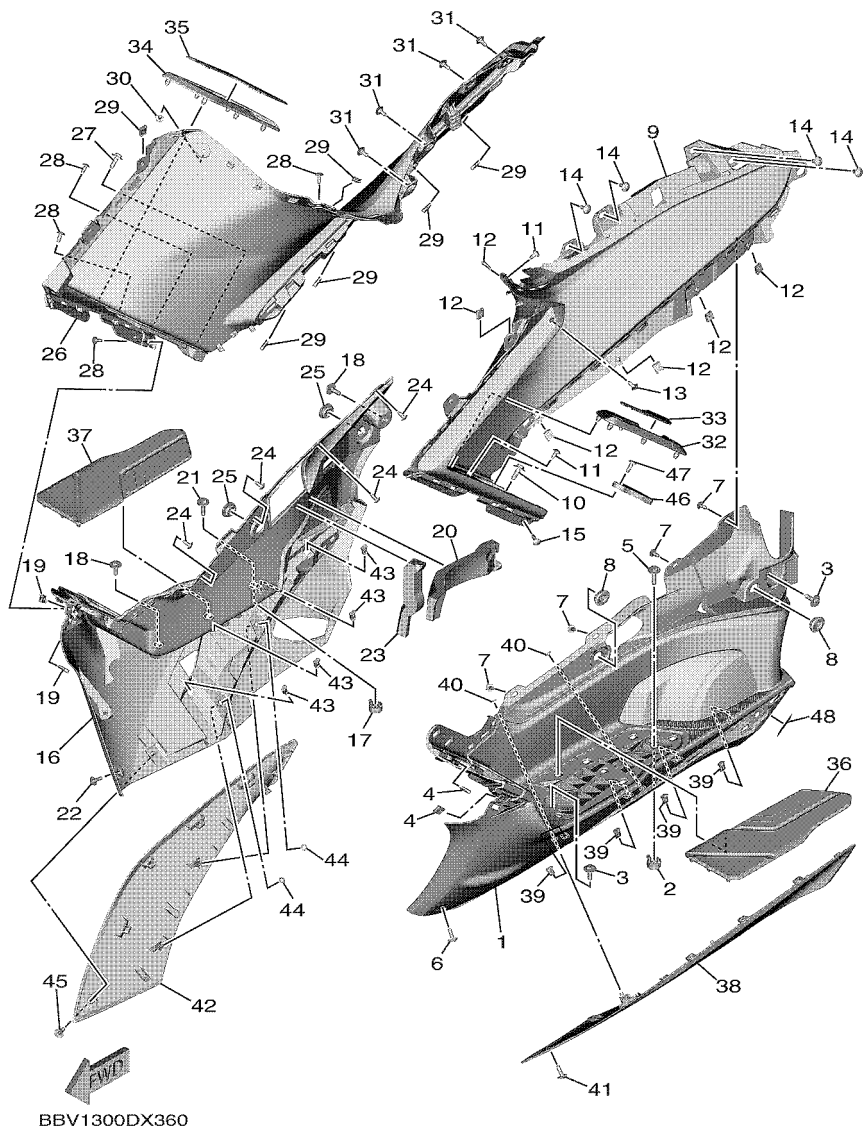
REF. NO.	PART NO.	DESCRIPTION	BTL2				REMARKS
28	BC3-27321-00	BRACKET, SIDE STAND	1				
29	59C-27311-00	STAND, SIDE	1				
30	90506-23014	SPRING, TENSION	1				
31	90445-217G3	HOSE (L70)	1				
32	BC3-27114-00	STOPPER, MAIN STAND	1				
33	90111-10007	BOLT, HEXAGON SOCKET BUTTON	1				
34	90387-10020	COLLAR	1				
35	90201-10051	WASHER, PLATE	2				
36	90201-10035	WASHER, PLATE	1				
37	90185-10012	NUT, SELF-LOCKING	1				

FIG. 36 STAND & FOOTREST 2



REF. NO.	PART NO.	DESCRIPTION	BTL2				REMARKS
1	BBW-27481-00	BOARD, FOOTREST	1				
2	BBW-27823-00	SPACER	1				
3	90119-06096	BOLT, WITH WASHER	2				
4	90183-05042	NUT, SPRING	2				
5	90119-06320	BOLT, WITH WASHER	1				
6	90111-05021	BOLT, HEXAGON SOCKET BUTTON	1				
7	97702-50012	SCREW, TAPPING	4				
8	90480-01559	GROMMET	2				
9	BBW-2837L-00	PANEL, CONSOLE 1	1				
10	90119-06096	BOLT, WITH WASHER	1				
11	97702-50012	SCREW, TAPPING	2				
12	90183-05042	NUT, SPRING	6				
13	90167-05079	SCREW, TAPPING	1				
14	90109-05022	BOLT	4				
15	97702-50016	SCREW, TAPPING	1				
16	BBW-27488-00	BOARD, FOOTREST 2	1				
17	BBW-27823-00	SPACER	1				
18	90119-06096	BOLT, WITH WASHER	2				
19	90183-05042	NUT, SPRING	2				
20	90520-20018	DAMPER, PLATE	1				
21	90119-06320	BOLT, WITH WASHER	1				
22	90111-05021	BOLT, HEXAGON SOCKET BUTTON	1				
23	90520-20019	DAMPER, PLATE	1				
24	97702-50012	SCREW, TAPPING	4				
25	90480-01559	GROMMET	2				
26	BBW-2837M-00	PANEL, CONSOLE 2	1				
27	90119-06096	BOLT, WITH WASHER	1				

FIG. 36 STAND & FOOTREST 2



REF. NO.	PART NO.	DESCRIPTION	BTL2				REMARKS
28	97702-50012	SCREW, TAPPING	4				
29	90183-05042	NUT, SPRING	6				
30	90167-05079	SCREW, TAPPING	1				
31	90109-05022	BOLT	4				
32	BBW-27483-00	MAT 1	1				
33	BBW-27413-00	COVER, FOOTREST	1				
34	BBW-27484-00	MAT 2	1				
35	BBW-27423-00	COVER, FOOTREST	1				
36	BBW-27493-00	MAT 3	1				
37	BBW-27494-00	MAT 4	1				
38	BBW-2171L-00-P4	MOLE, SIDE COVER 1	1				UR FOR MDNM6
	BBW-2171L-00-P5	MOLE, SIDE COVER 1	1				UR FOR MDRNP1
39	90464-04005	CLAMP	4				
40	90183-05M02	NUT, SPRING	2				
41	90111-05021	BOLT, HEXAGON SOCKET BUTTON	1				
42	BBW-2171M-00-P4	MOLE, SIDE COVER 2	1				UR FOR MDNM6
	BBW-2171M-00-P5	MOLE, SIDE COVER 2	1				UR FOR MDRNP1
43	90464-04005	CLAMP	4				
44	90183-05M02	NUT, SPRING	2				
45	90111-05021	BOLT, HEXAGON SOCKET BUTTON	1				
46	59C-27463-01	COVER 2	1				
47	97702-50016	SCREW, TAPPING	1				
48	B5Y-1548B-00	OIL, LABEL	1				

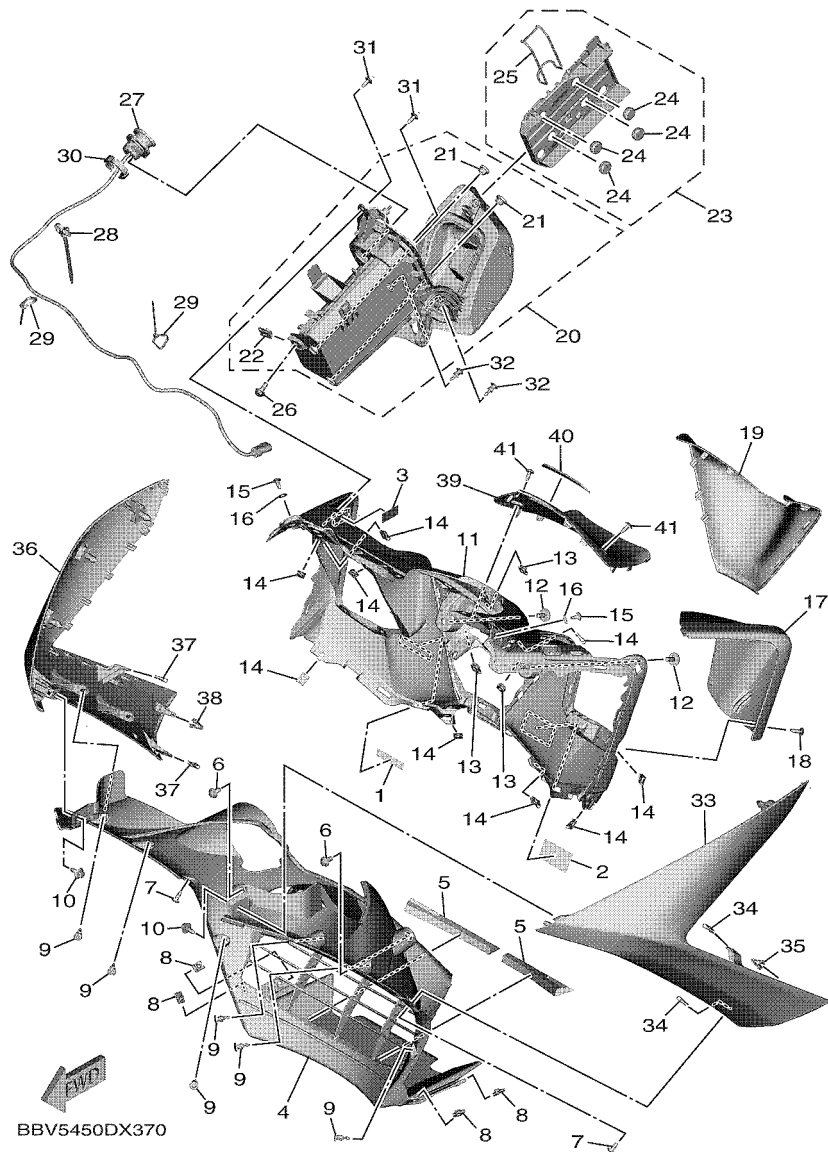


FIG. 37 LEG SHIELD

REF. NO.	PART NO.	DESCRIPTION	BTL2	REMARKS
1	2S3-2817K-11	LABEL, FUEL	1	
2	26P-21568-11	LABEL, WARNING	1	
3	4BR-24877-A1	LABEL, CAUTION	1	
4	BBW-21557-00	DUCT, AIR	1	
5	90520-10015	DAMPER, PLATE	2	
6	90109-06264	BOLT	2	
7	90167-05079	SCREW, TAPPING	2	
8	90183-05076	NUT, SPRING	4	
9	90269-06008	RIVET	6	
10	90269-06083	RIVET	2	
11	BBW-28311-00	LEG SHIELD 1	1	
12	90159-06021	SCREW, WITH WASHER	2	
13	90183-05076	NUT, SPRING	3	
14	90183-05042	NUT, SPRING	9	
15	97702-50012	SCREW, TAPPING	2	
16	90201-05045	WASHER, PLATE	2	
17	BBW-28313-00	LID	1	
18	90169-05001	SCREW, TRUSS HEAD TAPPING	1	
19	BBW-28312-00-P3	LEG SHIELD 2	1	DNMN FOR MDNM6
	BBW-28312-00-P5	LEG SHIELD 2	1	SMX FOR MDRNP1
20	BBW-2830R-00	BOX SUB ASSY	1	
21	90338-10132	.PLUG	2	
22	90183-060A6	.NUT, SPRING	1	
23	BBW-283J3-00	SMART PHONE HOLDER ASSY.	1	
24	90480-14100	.GROMMET	4	
25	93210-60426	.O-RING	1	
26	90159-06022	SCREW, WITH WASHER	1	

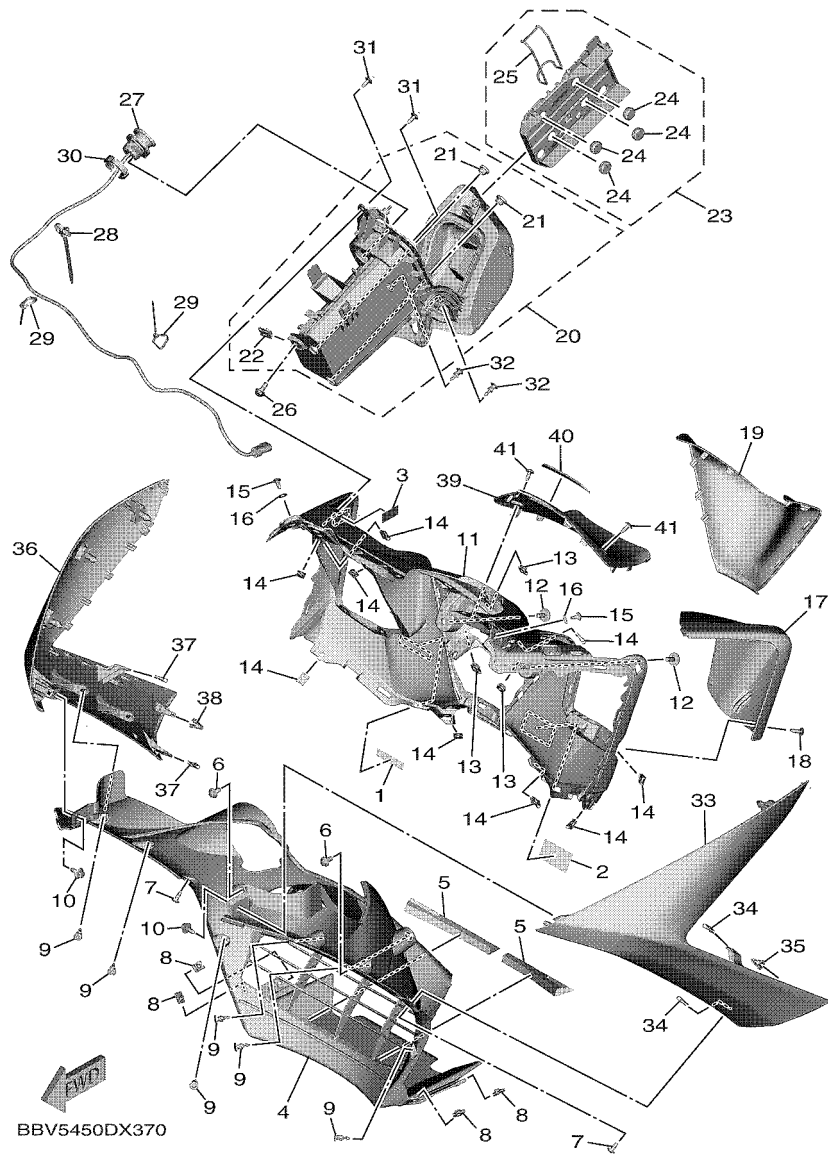
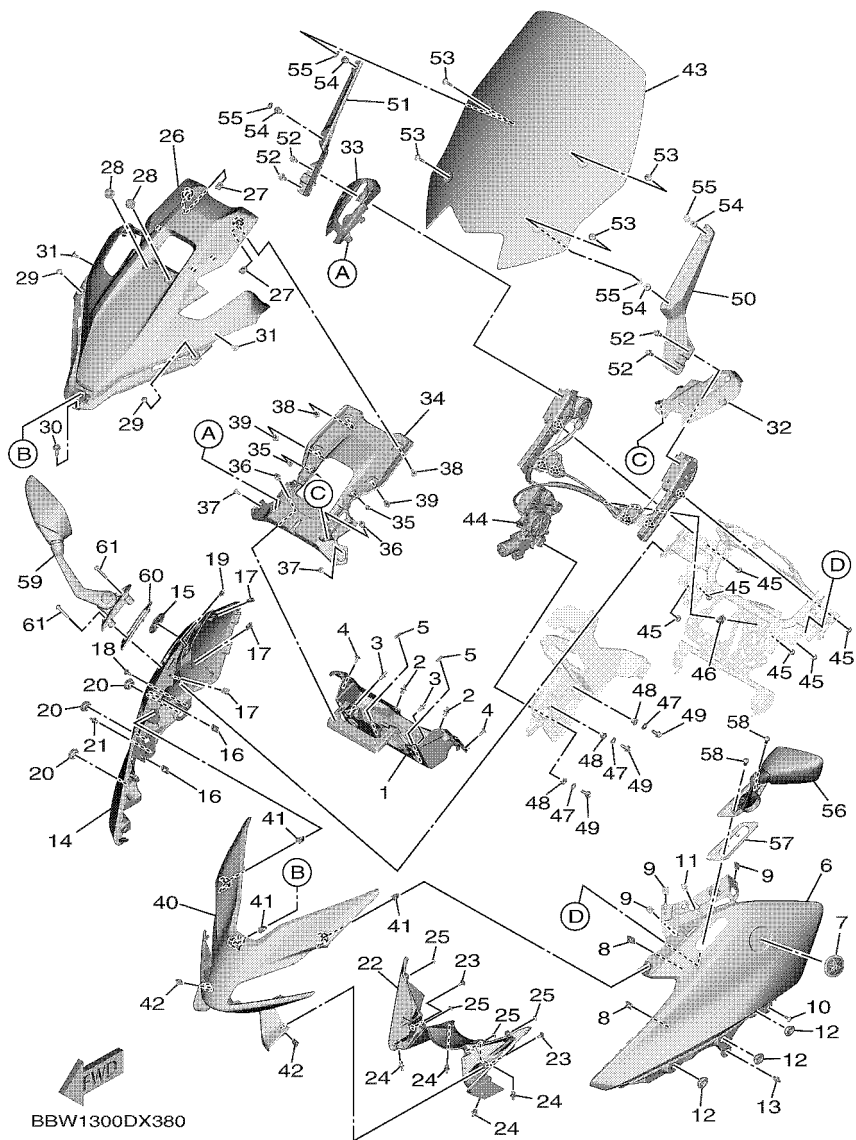


FIG. 37 LEG SHIELD

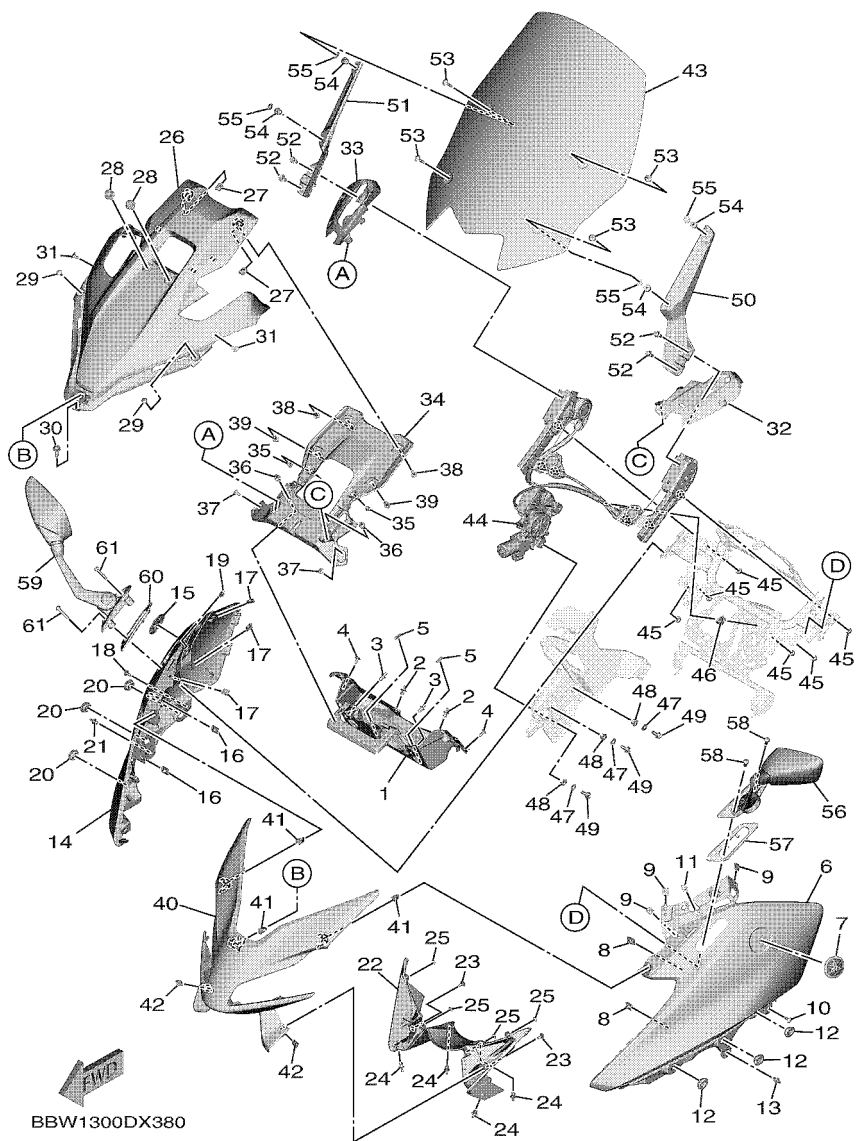
REF. NO.	PART NO.	DESCRIPTION	BTL2				REMARKS
27	BBW-821F1-00	LEAD, USB 1	1				
28	90464-30010	CLAMP	1				
29	90464-16061	CLAMP	2				
30	BBW-82114-00	NUT	1				
31	97702-50012	SCREW, TAPPING	2				
32	90269-06008	RIVET	2				
33	BBW-2835U-00-P1	PANEL 1	1				SMX
34	90183-05042	NUT, SPRING	2				
35	90464-07018	CLAMP	1				
36	BBW-2835V-00-P1	PANEL 2	1				SMX
37	90183-05042	NUT, SPRING	2				
38	90464-07018	CLAMP	1				
39	BBW-28365-00	COVER	1				
40	BBW-26031-00	EMBLEM, 3D	1				
41	90167-05079	SCREW, TAPPING	2				

FIG. 38 WINDSHIELD



REF. NO.	PART NO.	DESCRIPTION	BTL2		REMARKS
1	BBW-2836K-00	PANEL, INNER 1	1		
2	90269-06008	RIVET	2		
3	90269-07014	RIVET	2		
4	97702-50012	SCREW, TAPPING	2		
5	1HX-27415-00	PLATE, DAMPER	2		
6	BBW-28351-00-P4	BODY, COWLING	1		UR FOR MDNM6
	BBW-28351-00-P6	COWLING	1		UR FOR MDRNP1
7	1RC-2413B-01	EMBLEM	1		
8	90183-060A6	NUT, SPRING	2		
9	90183-05042	NUT, SPRING	3		
10	97702-50012	SCREW, TAPPING	1		
11	90183-05076	NUT, SPRING	1		
12	90480-01559	GROMMET	3		
13	90269-06008	RIVET	1		
14	BBW-28377-00-P4	BODY, COWLING 2	1		UR FOR MDNM6
	BBW-28377-00-P6	COWLING	1		UR FOR MDRNP1
15	1RC-2413B-01	EMBLEM	1		
16	90183-060A6	NUT, SPRING	2		
17	90183-05042	NUT, SPRING	3		
18	97702-50012	SCREW, TAPPING	1		
19	90183-05076	NUT, SPRING	1		
20	90480-01559	GROMMET	3		
21	90269-06008	RIVET	1		
22	BBW-22863-00	COVER, UNDER	1		
23	97702-50012	SCREW, TAPPING	2		
24	90269-06008	RIVET	4		
25	90183-05M02	NUT, SPRING	4		

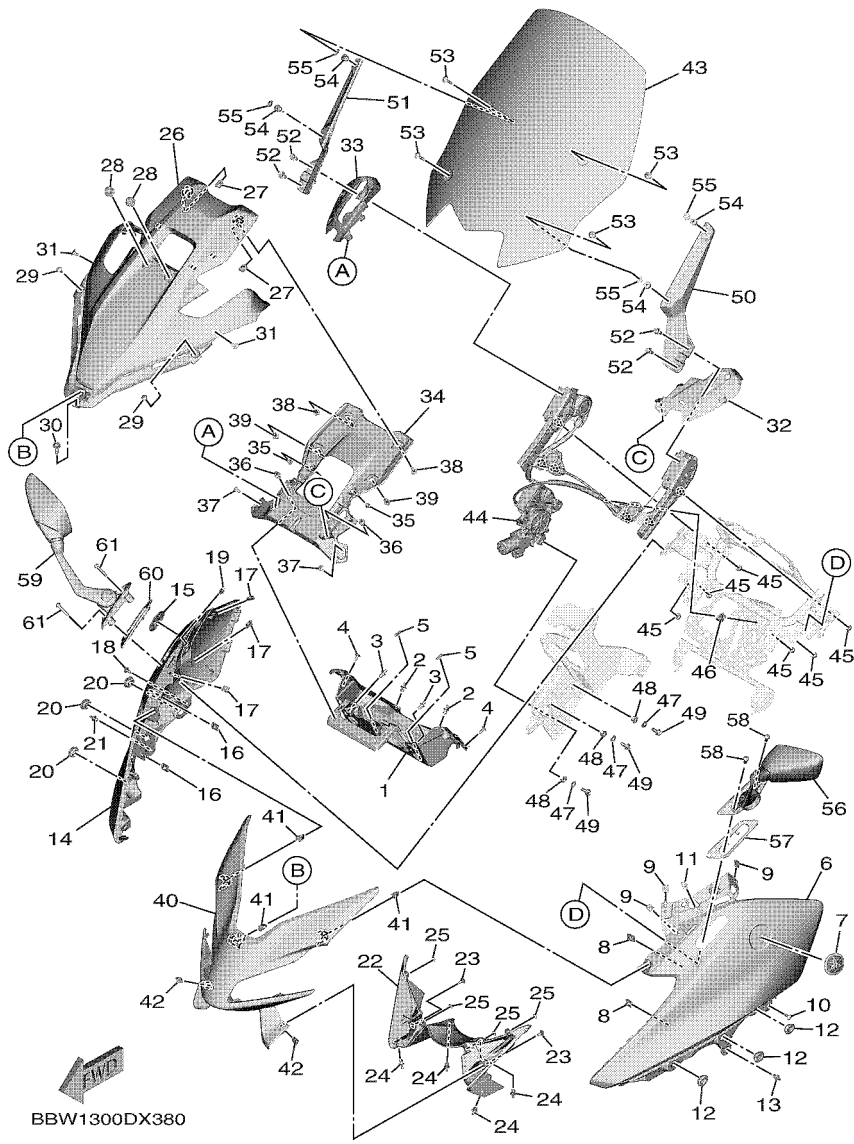
FIG. 38 WINDSHIELD



BBW1300DX380

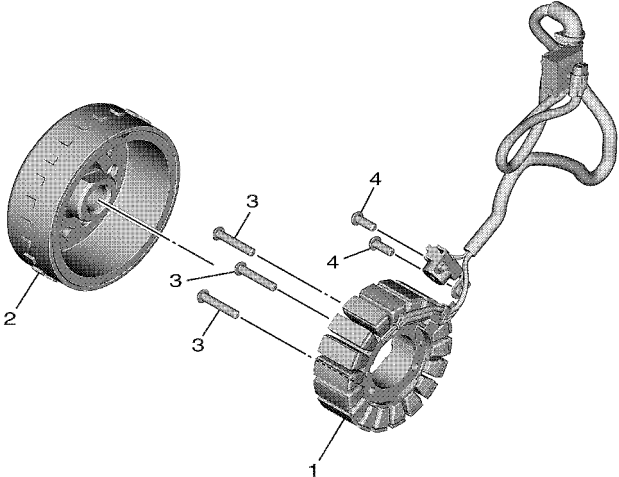
REF. NO.	PART NO.	DESCRIPTION	BTL2	REMARKS
26	BBW-2836L-00	PANEL, INNER 2	1	
27	90183-05076	NUT, SPRING	2	
28	90269-08005	RIVET	2	
29	97702-50012	SCREW, TAPPING	2	
30	90110-06437	BOLT, HEXAGON SOCKET HEAD	1	
31	B7M-28331-00	BOLT, LEG SHIELD	2	
32	BBW-21521-00	FLAP, FRONT FENDER	1	
33	BBW-21561-00	FLAP 2	1	
34	BBW-83559-00	COVER, METER	1	
35	90338-06018	PLUG	2	
36	90269-06008	RIVET	2	
37	97702-50012	SCREW, TAPPING	2	
38	90111-05002	BOLT, HEXAGON SOCKET BUTTON	2	
39	90269-06019	RIVET	2	
40	BBW-22865-00-P4	COVER, FRONT	1	UR FOR MDNM6
	BBW-22865-00-P6	COVER, FRONT	1	UR FOR MDRNP1
41	90464-07018	CLAMP	3	
42	90183-05042	NUT, SPRING	2	
43	BBW-2837U-00	SCREEN	1	
44	BBW-83306-00	DRIVE UNIT ASSY	1	
45	95702-06500	NUT, FLANGE	6	
46	90464-12001	CLAMP	1	
47	90201-06032	WASHER, PLATE	3	
48	90387-07006	COLLAR	3	
49	95D37-06016	BOLT, FLANGE DEEP RECESS	3	
50	BBW-2833C-00	LINK 1	1	
51	BBW-2833D-00	LINK 2	1	

FIG. 38 WINDSHIELD



REF. NO.	PART NO.	DESCRIPTION	BTL2				REMARKS
52	95D32-06014	BOLT, FLANGE DEEP RECESS	4				
53	90111-05065	BOLT, HEXAGON SOCKET BUTTON	4				
54	90179-05003	NUT	4				
55	90202-05224	WASHER, PLATE	4				
56	BBW-26280-00	REAR VIEW MIRROR ASSY (LEFT)	1				
57	BBW-2628N-00	BASE, MIRROR (LEFT)	1				
58	92014-06030	BOLT, BUTTON HEAD	2				
59	BBW-26290-00	REAR VIEW MIRROR ASSY (RIGHT)	1				
60	BBW-2628R-00	BASE, MIRROR (RIGHT)	1				
61	92014-06030	BOLT, BUTTON HEAD	2				

FIG. 39 GENERATOR

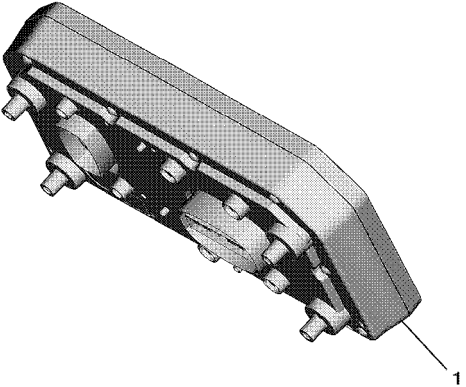


BBV1300DX390

REF. NO.	PART NO.	DESCRIPTION	BTL2					REMARKS
1	BBW-81410-02	STATOR ASSY	1					
2	B7M-81450-00	ROTOR ASSY	1					
3	90149-06093	SCREW	3					
4	90149-06082	SCREW	2					

FIG. 40 METER

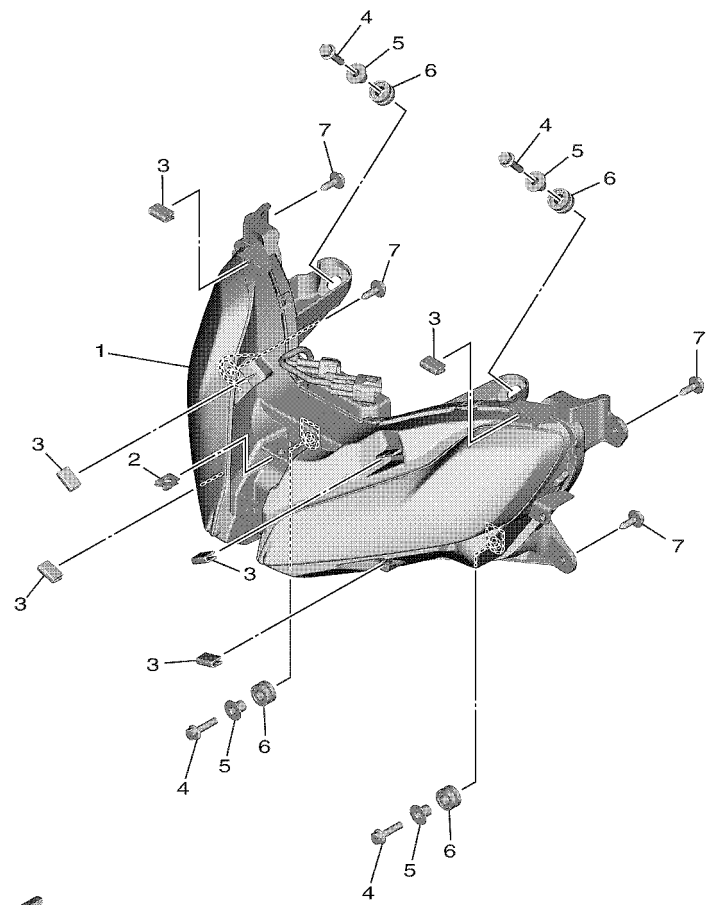
REF. NO.	PART NO.	DESCRIPTION	BTL2					REMARKS
1	BBW-83500-01	METER ASSY	1					




 BBV1300DX400

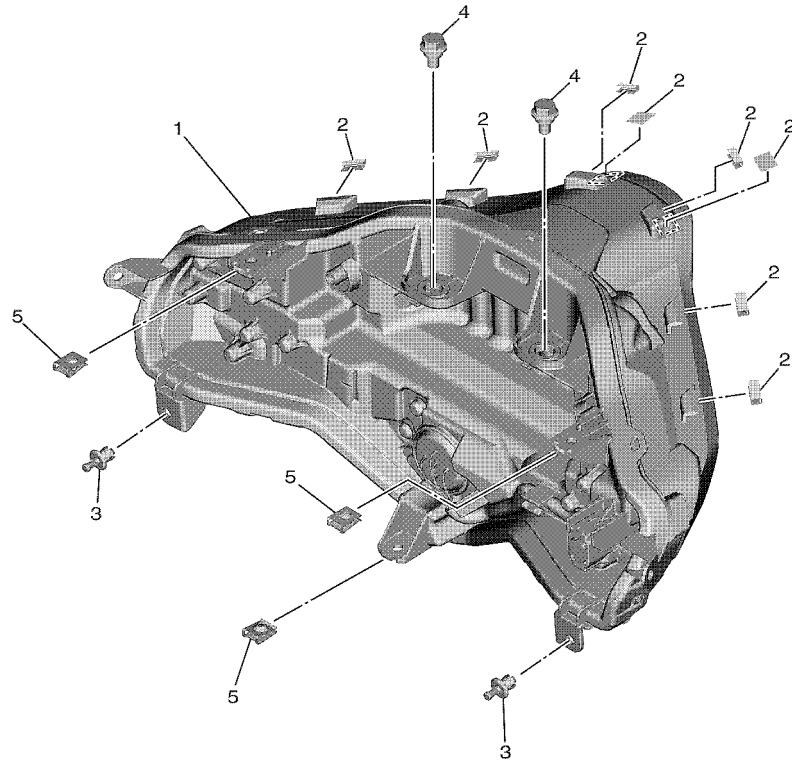
FIG. 41 HEADLIGHT

REF. NO.	PART NO.	DESCRIPTION	BTL2				REMARKS
1	BBW-84300-00	HEADLIGHT ASSY	1				
2	90183-060A6	NUT, SPRING	1				
3	BBW-24785-00	MOLE, SEAT	6				
4	95812-06025	BOLT, FLANGE	4				
5	90387-06161	COLLAR	4				
6	4XV-83513-00	DAMPER	4				
7	90119-06156	BOLT, WITH WASHER	4				



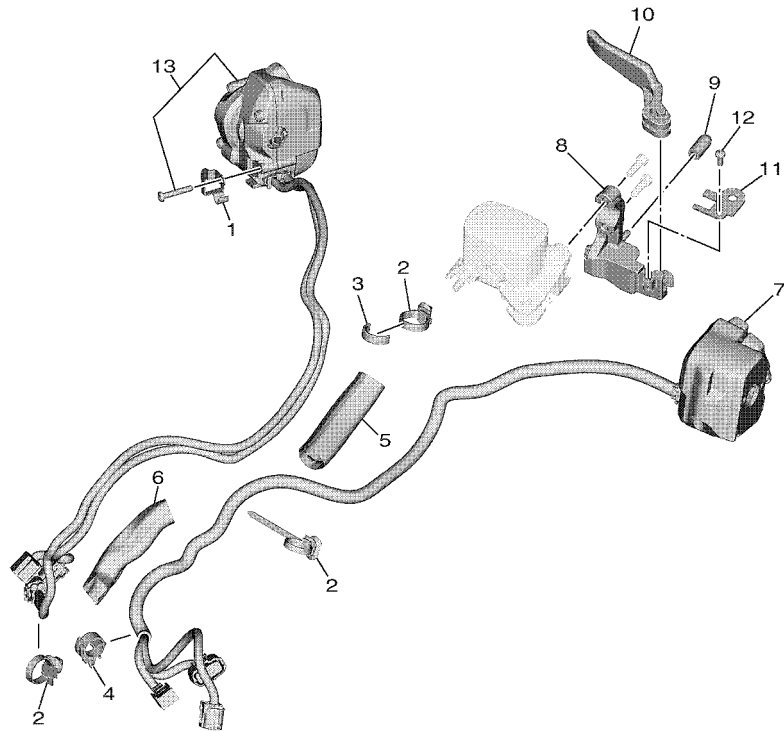
← EVO
BBV1300DX410

FIG. 42 TAILLIGHT




BBV1300DX420

REF. NO.	PART NO.	DESCRIPTION	BTL2					REMARKS
1	BBW-84710-00	TAILLIGHT UNIT ASSY	1					
2	BBW-21669-00	SEAL	8					
3	90269-06008	RIVET	2					
4	90109-06212	BOLT	2					
5	90183-05042	NUT, SPRING	3					

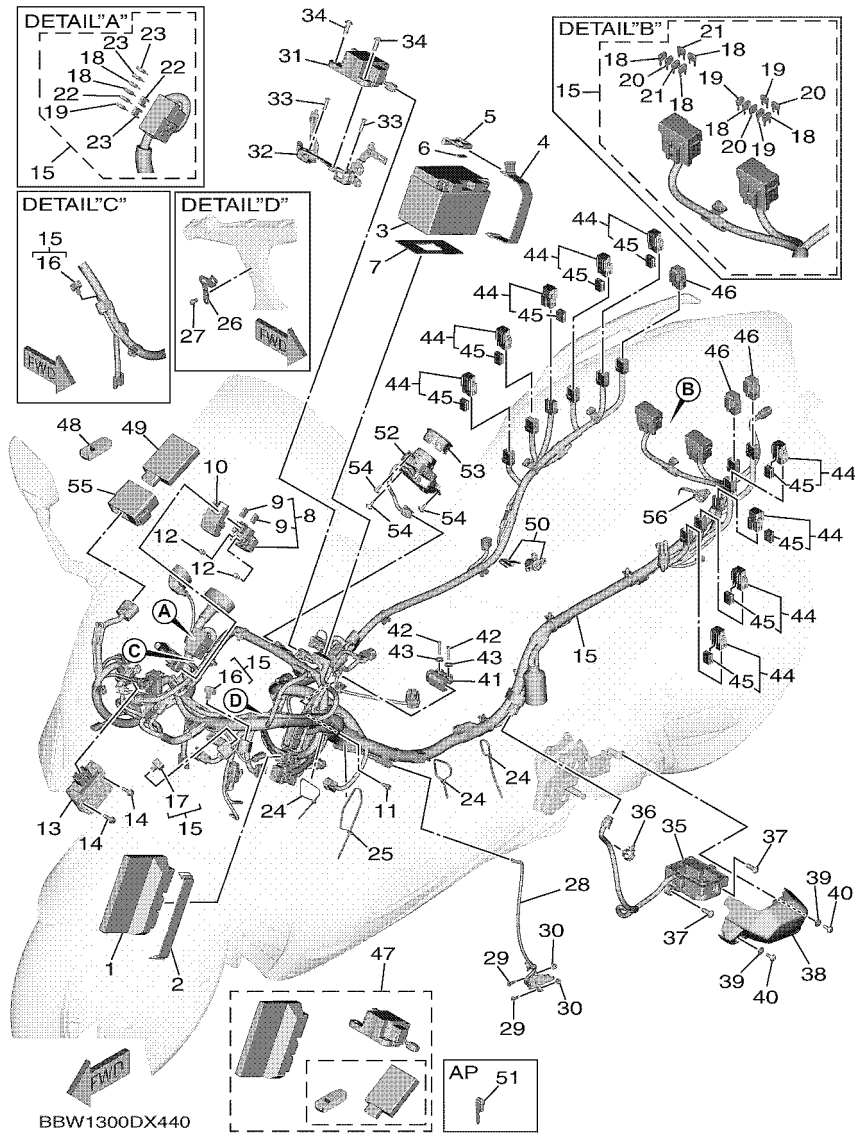



 BBW1300DX430

FIG. 43 HANDLE SWITCH & LEVER

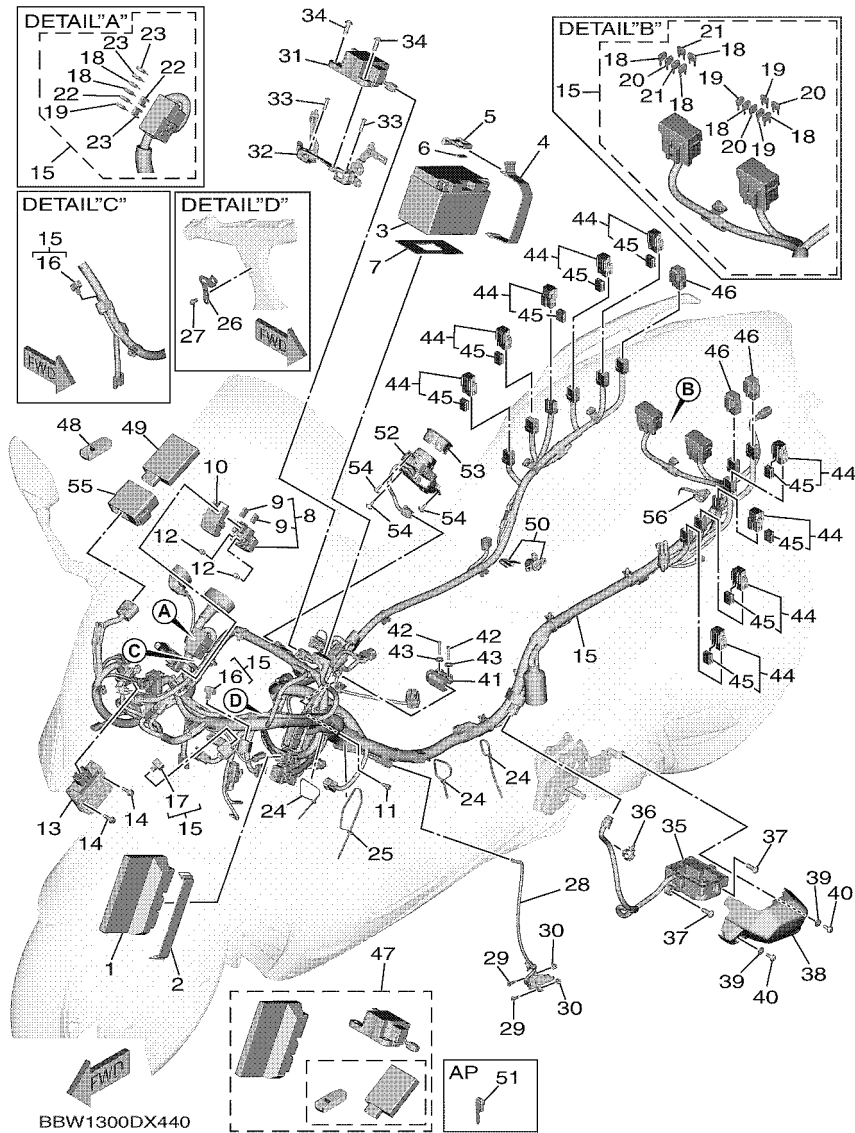
REF. NO.	PART NO.	DESCRIPTION	BTL2				REMARKS
1	BBW-82361-00	CLAMP, CORD	1				
2	90464-25009	CLAMP	3				
3	90446-08002	HOSE	1				
4	90464-18246	CLAMP	1				
5	BBW-2622K-00	PROTECTOR 1	1				
6	BBW-2622L-00	PROTECTOR 2	1				
7	BBW-83959-00	SWITCH, HANDLE6	1				
8	BBW-26396-00	HOLDER, ADJUSTING	1				
9	5RB-13569-00	PLUG, BLIND	1				
10	5VU-83930-00	LEVER LOCK ASSY	1				
11	BC3-25727-00	BRACKET, LEVER	1				
12	98507-05012	SCREW, PAN HEAD	1				
13	BBW-8291R-00	SW., HANDLE RH	1				

FIG. 44 ELECTRICAL 1



REF. NO.	PART NO.	DESCRIPTION	BTL2				REMARKS
1	BBW-8591A-20	ENGINE CONTROL UNIT ASSY	1				
2	137-82131-01	BAND, BATTERY	1				
3	23P-82100-01	BATTERY ASSY (GS YUASA YTZ12S)	1				
4	26H-82131-00	BAND, BATTERY	1				
5	BBW-82128-00	BRACKET, BATTERY	1				
6	BBW-21639-00	DAMPER 2	1				
7	BC3-82121-00	PAD, BATTERY	1				
8	BC3-81940-00	STARTER RELAY ASSY	1				
9	5EA-82151-00	.FUSE (40A-BL)	2				
10	5SL-82119-10	COVER, LEAD WIRE	1				
11	91380-06012	BOLT	1				
12	90105-06230	BOLT, FLANGE	2				
13	BBW-81960-00	RECTIFIER & REGULATOR ASSY	1				
14	95D32-06020	BOLT, FLANGE DEEP RECESS	2				
15	BBW-82590-01	WIRE HARNESS ASSY	1				
16	4WA-81980-00	.DIODE ASSY	2				
17	3WP-81980-00	.DIODE ASSY	1				
18	5JJ-82151-00	.FUSE (7.5A-BL)	7				
19	5JJ-82151-10	.FUSE (15A-BL)	4				
20	5JJ-82151-30	.FUSE (10A-BL)	3				
21	5JJ-82151-20	.FUSE (20A-BL)	2				
22	5JJ-82151-60	.FUSE (30A-BL)	2				
23	5JJ-82151-80	.FUSE (2A-BL)	3				
24	1UA-82591-00	BAND	3				
25	3MA-82591-00	BAND	1				
26	B7M-1244F-00	BRACKET 2	1				
27	95E32-06012	BOLT, FLANGE DEEP RECESS	1				

FIG. 44 ELECTRICAL 1



REF. NO.	PART NO.	DESCRIPTION	BTL2	REMARKS
28	BC3-82566-00	SWITCH, SIDE STAND	1	
29	92012-05020	BOLT, BUTTON HEAD	2	
30	95602-05200	NUT, SELF-LOCKING	2	
31	BBW-23480-00	STEERING LOCK ASSY	1	
32	BBW-2137F-00	STAY 1	1	
33	90109-06282	BOLT	2	
34	90109-08196	BOLT	2	
35	BC3-27180-01	LOCK ASSY	1	
36	90464-18246	CLAMP	1	
37	90109-08196	BOLT	2	
38	BC3-8252U-00	COVER	1	
39	90387-06130	COLLAR	2	
40	90111-06059	BOLT, HEXAGON SOCKET BUTTON	2	
41	5PS-82576-01	SENSOR, LEAN ANGLE	1	
42	91312-04025	BOLT, HEXAGON SOCKET HEAD	2	
43	90201-04325	WASHER, PLATE	2	
44	1ST-81950-00	RELAY ASSY (1ST-00)	9	
45	5JJ-81952-00	.HOLDER, RELAY	1	
46	5JJ-81950-11	RELAY ASSY (G8HN-1C4T-DJ-Y51)	3	
47	BBW-W862A-21	REMOTE CONTROL UNIT KIT	1	
48	BBW-86261-01	XMTR. COMP.	1	
49	BBW-86265-01	RECEIVER COMPLETE	1	
50	2DF-82021-00	KEY SET	1	
51	2DF-82511-09	BLANK KEY	1	AP
52	BBW-8259E-00	SWITCH ASSY	1	
53	BBW-2845W-00	CAP,1	1	
54	90111-05058	BOLT, HEXAGON SOCKET BUTTON	3	

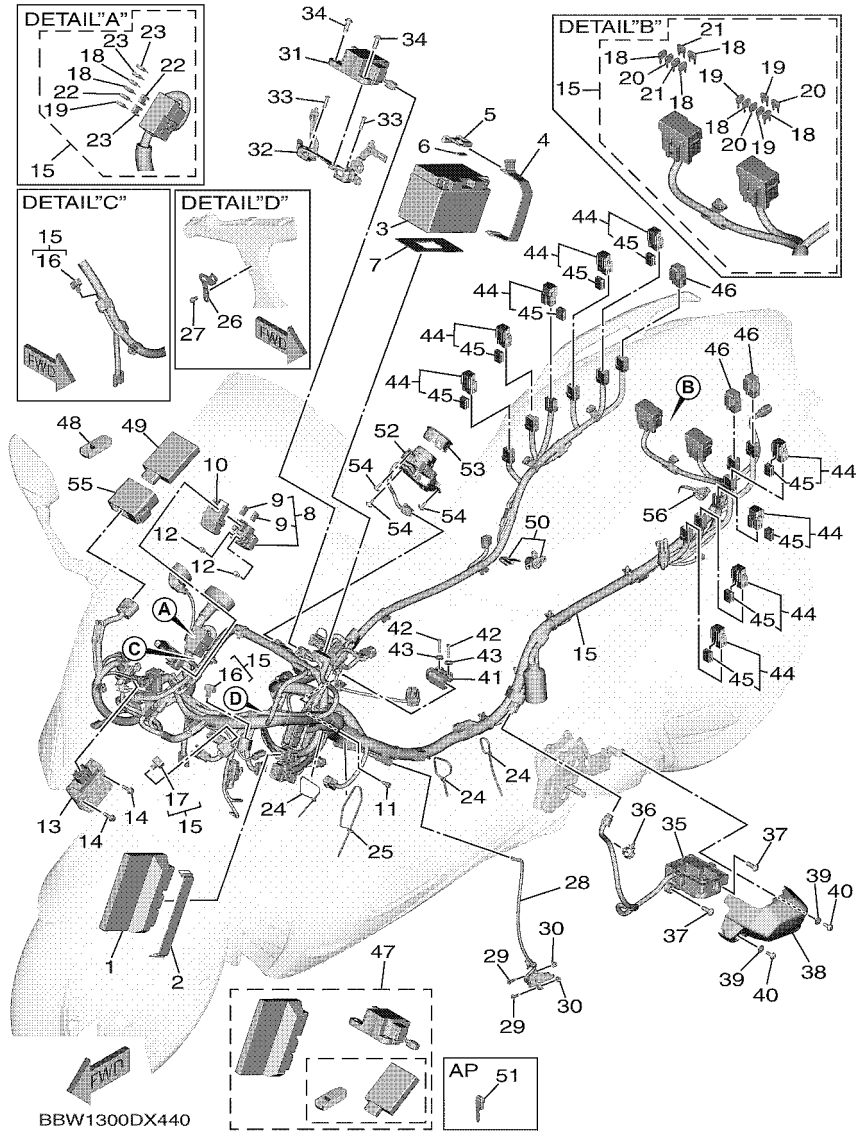


FIG. 44 ELECTRICAL 1

REF. NO.	PART NO.	DESCRIPTION	BTL2	REMARKS
55	2PW-85546-00	BAND	1	
56	90464-25010	CLAMP	1	

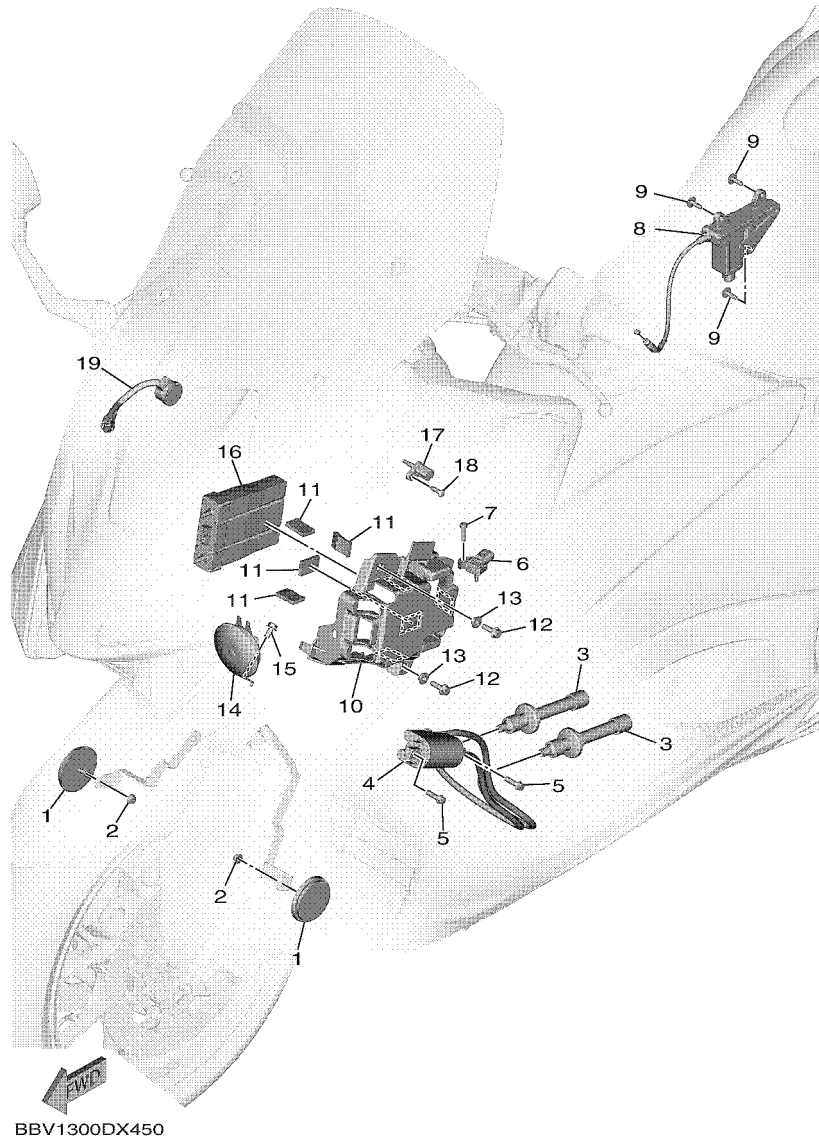


FIG. 45 ELECTRICAL 2

REF. NO.	PART NO.	DESCRIPTION	BTL2				REMARKS
1	59C-85131-00	REFLECTOR, REAR 1	2				
2	95702-05500	NUT, FLANGE	2				
3	B7M-82370-00	PLUG CAP ASSY	2				
4	BBW-82310-00	IGNITION COIL ASSY	1				
5	95E32-06020	BOLT, FLANGE DEEP RECESS	2				
6	1WS-82380-00	SENSOR, PRESSURE	1				
7	91312-05020	BOLT, HEXAGON SOCKET HEAD	1				
8	BBW-8A310-00	MOTOR UNIT	1				
9	90149-05299	SCREW	3				
10	BBW-8252U-00	COVER	1				
11	18A-21778-00	DAMPER, LOCATING 1	4				
12	95827-06020	BOLT, FLANGE	2				
13	90387-06107	COLLAR	2				
14	BC3-83371-11	HORN	1				
15	95D32-06012	BOLT, FLANGE DEEP RECESS	1				
16	BBW-83210-01	COMMUNICATION CONTROL UNIT	1				
17	5YU-85886-00	SENSOR, AIR TEMPERATURE	1				
18	97702-50516	SCREW, TAPPING	1				
19	BC3-83383-00	BUZZER	1				

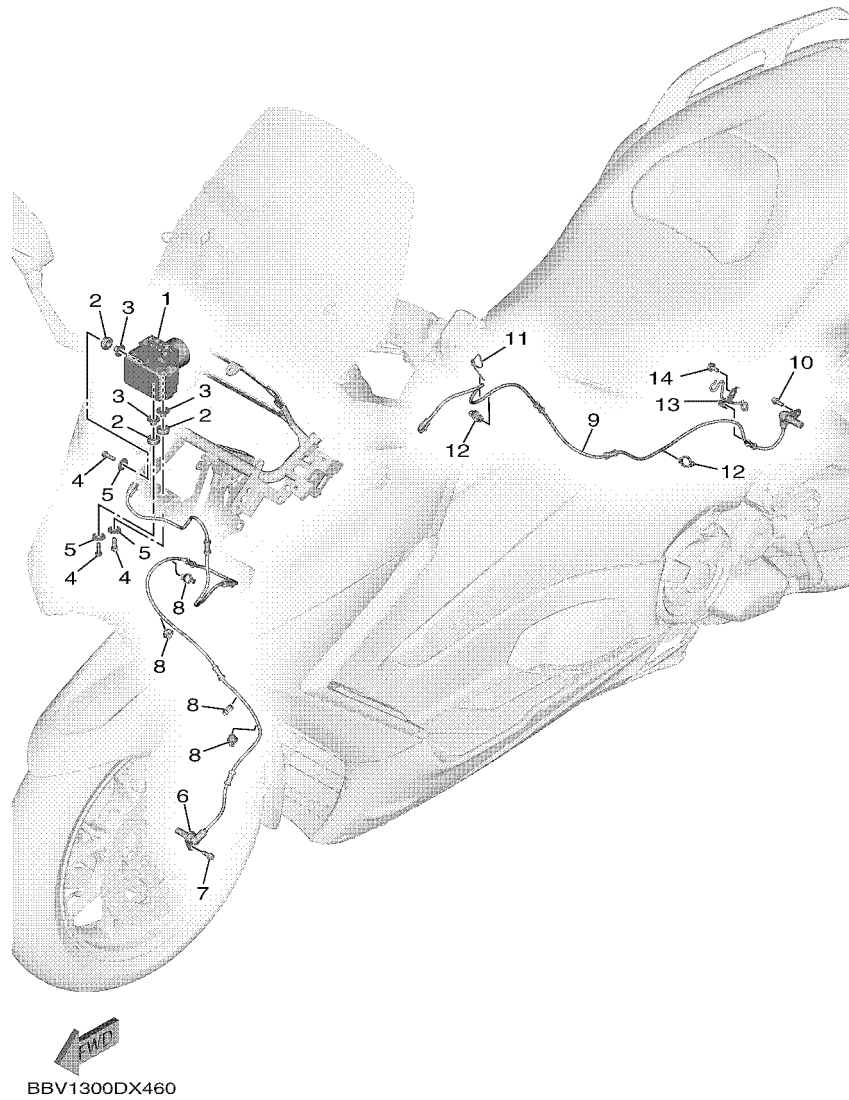


FIG. 46 ELECTRICAL 3

REF. NO.	PART NO.	DESCRIPTION	BTL2				REMARKS
1	BBW-85930-09	HYDRAULIC UNIT ASSY	1				
2	90480-15018	GROMMET	3				
3	90387-06150	COLLAR	3				
4	90105-06771	BOLT, FLANGE	3				
5	90201-06036	WASHER, PLATE	3				
6	BBW-85970-00	WHEEL SENSOR ASSY, FRONT	1				
7	95E32-06014	BOLT, FLANGE DEEP RECESS	1				
8	90464-12013	CLAMP	4				
9	BBW-85980-00	WHEEL SENSOR ASSY, REAR	1				
10	95E32-06014	BOLT, FLANGE DEEP RECESS	1				
11	90465-10098	CLAMP	1				
12	90464-14003	CLAMP	2				
13	BBW-8431U-00	HOLDER	1				
14	95D32-06012	BOLT, FLANGE DEEP RECESS	1				

NUMERICAL INDEX

PART NO.	REF. NO.	PART NO.	REF. NO.	PART NO.	REF. NO.	PART NO.	REF. NO.	PART NO.	REF. NO.	PART NO.	REF. NO.
B7M-11101-09	2 - 1	1HX-12168-80	4 - 8	BBW-12551-00	7 - 27	B7M-14452-00	9 - 3	2PW-15481-01	13 - 18	59C-17653-01	17 - 5
5NL-11133-10	2 - 2	1HX-12168-A0	4 - 8	BC3-12589-00	7 - 26	B7M-14465-00	26 - 43		14 - 20	59C-17660-00	17 - 14
B7M-11166-00	9 - 11	1HX-12168-F0	4 - 8	5GJ-12591-00	7 - 20	B7M-14469-01	9 - 6		14 - 27	4CW-17664-00	17 - 18
B7M-11181-00	2 - 16	1HX-12168-H1	4 - 8	5SL-12671-00	7 - 10	B7M-1446C-01	9 - 7		14 - 31	59C-17670-00	17 - 15
B7M-11190-01	2 - 17	1HX-12168-K1	4 - 8	2S3-12675-00	7 - 9	8HG-14534-00	10 - 8	5GJ-15486-00	13 - 17	B7M-17681-00	17 - 24
B7M-11193-00	2 - 18	1HX-12168-M1	4 - 8	BBW-12858-00	8 - 19	4BR-14613-00	11 - 23	B5Y-1548B-00	36 - 48	5GJ-17690-00	17 - 20
214-11198-01	12 - 8	1HX-12168-R1	4 - 8	3LD-13113-00	8 - 14	BC3-14629-00	11 - 10	4B5-15492-00	14 - 18	B7M-21110-00	19 - 1
B7M-11310-09	2 - 20	1HX-12168-U1	4 - 8	5GJ-13161-00	8 - 3	B7M-14648-00	11 - 22	BC3-15499-00	13 - 21	BBW-2113B-00	19 - 5
59C-11312-00	3 - 18	1HX-12168-W1	4 - 8	59C-13300-01	8 - 1	B7M-1465T-00	11 - 2		14 - 28	BBW-21158-00	19 - 14
59C-11351-01	2 - 21	1HX-12168-Y1	4 - 8	BBW-13405-00	8 - 8	BBW-14703-00	11 - 1	B7M-15512-00	15 - 1	BBW-2116M-00	19 - 38
B7M-11400-01	3 - 1	1HX-12169-11	4 - 8	5GJ-13410-00	8 - 10	BC3-14718-00	11 - 12	BBW-15517-00	15 - 4	BC3-2117F-01	19 - 40
BBW-11416-01	3 - 10	1HX-12169-31	4 - 8	22F-13411-01	8 - 13	BC3-14738-00	11 - 30	36Y-15521-01	15 - 2	BBW-2117K-00	28 - 27
BBW-11416-11	3 - 10	1HX-12169-50	4 - 8	5GH-13440-80	1 - 2	B7M-1475P-00	11 - 31	1WS-15590-00	15 - 3	BC3-2117M-01	19 - 41
BBW-11416-21	3 - 10	1HX-12169-70	4 - 8		8 - 20	B7M-1476P-00	11 - 32	59C-15768-00	14 - 15	BBW-21183-00	19 - 16
BBW-11416-31	3 - 10	1HX-12169-90	4 - 8	BBW-13455-00	12 - 12	B7M-14799-00	11 - 7	BC3-15789-00	13 - 22	BBW-21185-00	19 - 10
BBW-11416-41	3 - 10	1HX-12169-E0	4 - 8	B7M-13470-00	8 - 17	B7M-15100-08	12 - 1		14 - 30	BBW-21195-00	19 - 9
BBW-11416-A1	3 - 10	1HX-12169-G0	4 - 8	1XD-13475-00	8 - 18	5GJ-15113-01	14 - 8	B7M-16110-00	16 - 1	BC3-21236-00	19 - 2
5GJ-11455-10	3 - 16	1HX-12169-J0	4 - 8	5GJ-13475-00	8 - 6	36Y-15189-00	13 - 9	59C-16151-00	18 - 2	5VX-21279-10	19 - 4
BBW-11478-00	3 - 22	1HX-12169-L0	4 - 8	4G0-13490-01	8 - 21	BBW-15189-00	12 - 10	B7M-16321-00	16 - 11	B7M-21345-00	26 - 20
B7M-11603-01	3 - 12	1HX-12169-N0	4 - 8	B7M-13542-00	10 - 14	15B-15191-01	14 - 6	B7M-16324-00	16 - 13	21V-21376-00	27 - 19
B7M-11631-00	3 - 11	1HX-12169-T0	4 - 8	8FP-13556-00	10 - 2	BC3-15316-00	13 - 19	59C-16325-00	16 - 12	BBW-2137F-00	44 - 32
B7M-11633-00	3 - 13	B7M-12170-00	5 - 1	5RB-13569-00	43 - 9	59C-15326-10	14 - 25	5GJ-16334-00	16 - 16	BBW-21399-00	19 - 23
BC3-11642-01-A0	3 - 15	B7M-12180-00	5 - 2	8GL-13571-00	10 - 7	BC3-15335-00	13 - 20	B7M-16371-00	16 - 5	BV1-2141A-00	19 - 43
B7M-11650-00	3 - 2	B7M-12210-01	5 - 4	8HG-13573-00	10 - 6	2H7-15361-00	13 - 2	B7M-16511-00	16 - 7	B7M-2141E-00	19 - 45
5VU-11654-00	3 - 3	15B-12213-00	5 - 5	BBW-13588-00	3 - 21	5GJ-15363-10	13 - 14	5GJ-16520-00	16 - 9	BV1-2142K-00	19 - 17
4X7-11654-01	3 - 7	59C-12251-00	5 - 7	B7M-13635-00	10 - 17	4XM-15383-00	17 - 11	5GJ-16529-00	16 - 18	BC3-2144H-00	19 - 47
BBW-11656-00	3 - 5	B7M-12252-00	5 - 8	B7M-13750-04	10 - 1	5GJ-15383-00	17 - 29	5GJ-16533-00	16 - 10	BC3-2145H-00	19 - 49
	3 - 9	BC3-12405-00	7 - 8	BBW-13758-00	26 - 46	BBW-15407-00	1 - 4	5GJ-16537-00	16 - 17	BC3-21481-10	19 - 6
BBW-11656-10	3 - 5	1WS-12410-01	7 - 2	1WS-13761-00	10 - 3		14 - 1	5GJ-16537-10	16 - 17	BBW-21511-00-P4	20 - 1
	3 - 9	B7M-12413-00	7 - 3	BBW-13907-00	26 - 14	59C-15408-00	1 - 5	5GJ-16537-20	16 - 17	BBW-21511-00-P6	20 - 1
BBW-11656-20	3 - 5	59C-12420-10	6 - 1	B7M-13938-00	10 - 5		14 - 23	5GJ-16537-30	16 - 17	BBW-21521-00	38 - 32
	3 - 9	5VU-12421-00	6 - 2	BBW-13971-00	26 - 41	BBW-15411-00	13 - 1	5GJ-16540-00	16 - 8	BBW-21556-00	20 - 3
BBW-11656-30	3 - 5	5GJ-12422-02	6 - 7	2C0-14105-00	10 - 11	59C-15414-00	13 - 3	5GJ-16550-00	16 - 15	BBW-21557-00	37 - 4
	3 - 9	59C-12437-00	6 - 13	8A7-14139-00	10 - 13	BC3-15415-01	13 - 16	BBW-17111-00	18 - 3	BBW-21561-00	38 - 33
59C-11660-10	3 - 6	5VK-12438-00	6 - 5	5PS-14147-00	10 - 4	BBW-15417-00	13 - 4	BBW-17211-00	18 - 7	26P-21568-11	37 - 2
B7M-12111-00	4 - 1	1WG-12439-00	6 - 8	895-14169-00	10 - 12	59C-15421-10	14 - 10	59C-17411-10	18 - 1	BBW-2161G-00	21 - 49
59C-12113-00	4 - 4	B7M-1243A-00	7 - 22	8CC-14216-10	10 - 10	BC3-15423-01	14 - 21	B7M-17421-00	18 - 5	BBW-21629-00	21 - 39
3TJ-12117-00	4 - 5	B7M-1243E-00	7 - 23	B7M-14409-00	9 - 18	5GJ-1542A-00	14 - 19	15B-17524-00	23 - 1	BBW-21639-00	44 - 6
1HX-12118-00	4 - 6	B7M-1244F-00	44 - 26	B7M-14411-01	9 - 1	BC3-1542B-00	14 - 26	5GJ-17554-00	23 - 6	BBW-2164F-00	21 - 46
4TV-12119-00	4 - 7	20S-12450-00	6 - 6	B7M-14412-01	9 - 2	59C-15431-00	14 - 7	B7M-17601-09	17 - 1	BBW-2164G-00	21 - 47
59C-12121-01	4 - 2	BBW-12461-00	7 - 6	B7M-1441A-02	9 - 5	BC3-1543A-01	14 - 29	59C-17611-00	17 - 7	BC3-21668-01	28 - 29
8GC-12126-00	4 - 3	5SL-12462-00	7 - 19	B7M-14435-00	10 - 15	B7M-15451-00	13 - 11	BC3-17623-00	17 - 4	BBW-21669-00	42 - 2
B7M-12153-09	4 - 9	BC3-12476-00	7 - 16	BC3-14437-01	9 - 8	5GJ-15453-01	13 - 6	5VU-17632-10	17 - 3	BC3-21682-00	23 - 34
B7M-12153-10	4 - 9	BBW-12477-00	7 - 17	BC3-1443A-01	9 - 9	59C-15461-01	1 - 7	B7M-17641-10	1 - 6	BBW-21711-00-P4	21 - 7
1HX-12168-00	4 - 8	5VU-12478-00	7 - 7	5XT-1443E-00	9 - 13		14 - 11		17 - 6	BBW-21711-00-P6	21 - 7
1HX-12168-20	4 - 8	B7M-12481-00	6 - 14	B7M-14451-01	1 - 3	BBW-15473-00	14 - 3	4WV-17644-00	17 - 21	BBW-2171A-00-P4	21 - 25
1HX-12168-40	4 - 8	B7M-12482-00	6 - 15		9 - 10	5GJ-15474-00	14 - 5	59C-17649-01	17 - 8	BBW-2171A-00-P6	21 - 25
1HX-12168-60	4 - 8	B7M-12483-00	7 - 5	48U-14452-00	14 - 24	15B-15481-00	12 - 7	B7M-17651-00	23 - 17	BBW-2171E-00	21 - 1

NUMERICAL INDEX

PART NO.	REF. NO.	PART NO.	REF. NO.	PART NO.	REF. NO.	PART NO.	REF. NO.	PART NO.	REF. NO.	PART NO.	REF. NO.
BBW-2171L-00-P4	36 - 38	5VY-23118-00	25 - 15	BBW-2414A-00	26 - 22	5PW-25188-00	29 - 11	BBW-2584B-01	34 - 39	BBW-26146-00	33 - 6
BBW-2171L-00-P5	36 - 38		25 - 33	BBW-2414H-00	26 - 8	59C-25317-01	31 - 4	BBW-2584C-00	34 - 40	BBW-2622K-00	43 - 5
BBW-2171M-00-P4	36 - 42	BC3-23120-01	25 - 20	BBW-2414J-00	26 - 9	59C-25333-00	32 - 26	BBW-2584D-00	34 - 25	BBW-2622L-00	43 - 6
BBW-2171M-00-P5	36 - 42	5PB-23123-00	25 - 41	BBW-2414K-00	26 - 10	BBW-25338-00-98	31 - 1	4B5-25852-00	34 - 3	5EB-26246-00	33 - 4
BBW-21721-00-P4	21 - 15	1RC-23125-00	25 - 7	BC3-24170-00	26 - 30	BC3-25376-00	31 - 17		34 - 29	BBW-26279-00	33 - 15
BBW-21721-00-P6	21 - 15		25 - 25	22W-24181-00	11 - 17	2PW-25377-10	31 - 18	4B5-25854-00	34 - 5	BBW-26280-00	38 - 56
BBW-2172G-00	21 - 13	BC3-23126-00	25 - 9	BC3-24183-00	26 - 29	2PW-2537A-00	31 - 16		34 - 31	BBW-2628N-00	38 - 57
BBW-2172H-00	21 - 22		25 - 27	BC3-24184-00	26 - 27	BC3-25381-00	31 - 19	4B5-25855-00	34 - 4	BBW-2628R-00	38 - 60
BBW-21731-00-P2	21 - 28	B7M-23141-00	25 - 14	31A-24188-01	26 - 13	5VY-25388-00	23 - 38		34 - 30	BBW-26290-00	38 - 59
BBW-2173B-10	21 - 54		25 - 32	BBW-2419A-00	26 - 40	5VY-25389-01	23 - 39	5VS-25867-00	34 - 11	5VS-26332-00	34 - 10
	21 - 55	4EB-23144-00	25 - 3	BBW-2419F-00	26 - 28	23P-25398-00	29 - 9	BBW-25873-00	34 - 15		34 - 36
BBW-2173M-00	28 - 3		25 - 21	BBW-24313-00	26 - 25		31 - 11	BBW-25874-01	34 - 14	BBW-26396-00	43 - 8
BBW-21741-00-P2	21 - 33	4EB-23145-01	25 - 5	BBW-24316-00	26 - 32	BC3-25470-00	31 - 12	BBW-25875-00	34 - 23	B7M-27111-00	35 - 15
4JP-21753-00	26 - 23		25 - 23	BBW-24317-00	26 - 42	BC3-25727-00	43 - 11	BBW-25876-00	34 - 26	36C-27114-00	35 - 21
BBW-2175N-00	21 - 27	36Y-23146-10	25 - 6	BC3-24318-00	26 - 24	4SV-25802-00	30 - 6	BC3-27114-00	23 - 36	BC3-27114-00	35 - 32
18A-21778-00	45 - 11		25 - 24	BBW-24339-00	26 - 6		30 - 17	BBW-25886-00	34 - 45	BC3-27151-00	35 - 20
3D8-2177M-00	26 - 12	39P-23147-00	25 - 17	1S4-24486-00	26 - 17	59C-25802-00	32 - 4	BBW-25887-00	34 - 16	B7M-27152-00	35 - 24
1AA-21815-00	22 - 13		25 - 35	BC3-24491-00	26 - 16	4SV-25802-10	30 - 4	5VS-2589F-00	34 - 7	BC3-27180-01	44 - 35
BBW-21816-00	22 - 15	26H-23156-00	25 - 4	BBW-24610-01	26 - 2		30 - 15		34 - 33	59C-27311-00	35 - 29
BC3-21817-00	22 - 16		25 - 22	BBW-24718-00	27 - 7	59C-25802-50	32 - 14	5VS-2589H-00	34 - 6	BC3-27321-00	35 - 28
BBW-21871-00	22 - 9	509-23158-L0	25 - 11	BBW-2471P-00	28 - 9	59C-25803-00	32 - 5		34 - 32	BBW-27413-00	36 - 33
1AA-21874-00	22 - 14		25 - 29	BBW-24726-00	27 - 3	3GM-25803-10	30 - 5	59C-25914-00	32 - 6	1HX-27415-00	38 - 5
BC3-2210M-00	23 - 5	BBW-23170-00	25 - 28	BBW-24730-00	27 - 1		30 - 16	59C-25914-50	32 - 18	BBW-27423-00	36 - 35
BC3-2210N-01	23 - 11	B7M-23170-10	25 - 10	BBW-24731-00	27 - 2	3MA-25803-10	30 - 7	1UY-25917-51	32 - 20	B7M-27424-00	11 - 21
15B-22141-00	23 - 24	4FM-23171-40	25 - 8	BBW-2473R-00	28 - 1		30 - 18	13S-25919-00	30 - 9	36Y-27424-01	11 - 18
1J7-22143-00	23 - 26		25 - 26	BBW-24747-00	28 - 8	4B5-25805-00	1 - 8		30 - 20	B7M-27431-00	35 - 1
59C-2214F-00	23 - 19	BBW-2317E-00	25 - 42	BBW-2474A-00-P4	28 - 11		30 - 8	5JW-25919-00	32 - 9	4B5-27437-00	35 - 7
BC3-2217A-00	23 - 52	BBW-2317F-00	25 - 44	BBW-2474A-00-P5	28 - 11		30 - 19	2PW-25921-50	32 - 24		35 - 14
BC3-2217M-00	23 - 51	278-23181-50	25 - 12	4B5-2474E-00	27 - 4	59C-25805-50	32 - 15	4SV-25924-00	30 - 10	B7M-27441-00	35 - 8
59C-2219X-00	23 - 18		25 - 30	BBW-2474W-00-P4	28 - 16	59C-25806-00	1 - 9		30 - 21	59C-27463-01	36 - 46
BBW-22210-00	23 - 67	BC3-23340-00	25 - 37	BBW-2474W-00-P5	28 - 16		32 - 8	3GM-25925-00	30 - 11	BBW-27481-00	36 - 1
BC3-22311-01	23 - 40	BBW-2334G-00	24 - 16	BBW-24765-00	22 - 1	BC3-25807-00	34 - 2		30 - 22	BBW-27483-00	36 - 32
BC3-22312-01	23 - 43	BBW-2334H-00	24 - 10	BBW-24769-00	27 - 13	BC3-25807-10	34 - 28	1UY-25926-51	32 - 21	BBW-27484-00	36 - 34
BC3-22381-01	23 - 46	3LC-23357-00	25 - 13	BBW-2476F-00	27 - 8	BC3-2580A-00	34 - 1	4TT-25937-00	32 - 7	BBW-27488-00	36 - 16
BC3-22465-00	23 - 14		25 - 31	4B5-2476U-00	28 - 13	BC3-2580A-10	34 - 27	1UY-25937-51	32 - 23	BBW-27493-00	36 - 36
BC3-2247A-00	35 - 17	4XV-23415-01	24 - 5		28 - 18	2PW-2580T-20	30 - 3	1UY-25938-51	32 - 22	BBW-27494-00	36 - 37
BC3-2248B-00	23 - 53	4XV-23418-00	24 - 2	BBW-24780-00	28 - 21	2PW-2580U-20	30 - 14	5GM-25975-00	32 - 12	BBW-27823-00	36 - 2
BC3-2248B-10	23 - 65	BBW-23442-00	24 - 9	BBW-24785-00	41 - 3	59C-2580W-01	32 - 3	2PW-259A0-00	32 - 13		36 - 17
BC3-2248C-00	23 - 54	3FV-23462-00	25 - 40	BBW-2478G-01	27 - 16	BBW-2581T-00	30 - 1	59C-259A3-00	32 - 16	BC3-27883-00	31 - 13
BBW-22863-00	38 - 22	BBW-23480-00	44 - 31	BBW-2479D-00	28 - 24	1J3-25824-00	30 - 12	59C-259A4-00	32 - 17	BBW-27982-00	33 - 20
BBW-22865-00-P4	38 - 40	BC3-23857-00	24 - 18	3LD-24877-A1	28 - 30		30 - 23	BBW-26031-00	37 - 40	BBW-28100-10	27 - 18
BBW-22865-00-P6	38 - 40	BBW-24110-00	26 - 1	4BR-24877-A1	37 - 3	5GM-25824-00	32 - 10	BBW-26111-00	33 - 1	1RC-28135-00	27 - 20
BC3-22882-00	23 - 66	BBW-24129-00-P2	22 - 5	BBW-24885-00	28 - 23	1D7-25825-00	32 - 11	BBW-2612E-00	34 - 24	2S3-2817K-11	37 - 1
BBW-23102-00	25 - 19	BBW-24129-00-P3	22 - 5	5EA-25117-00	29 - 2	59C-25825-00	32 - 25	BBW-2612K-00	20 - 13	BBW-2830R-00	37 - 20
BBW-23103-00	25 - 1	BBW-24139-00-P2	22 - 7	BBW-25168-00-98	29 - 1	306-25825-01	30 - 13	4B5-26131-00	33 - 17	BBW-28311-00	37 - 11
BC3-23110-01	25 - 2	BBW-24139-00-P3	22 - 7	1XC-2517G-00	31 - 7		30 - 24	BBW-26143-00	33 - 8	BBW-28312-00-P3	37 - 19
2PW-23111-00	25 - 16	1RC-2413B-01	38 - 7	2DR-2517G-00	29 - 5	59C-2582W-00	32 - 1	BBW-26144-00	33 - 5	BBW-28312-00-P5	37 - 19
	25 - 34		38 - 15	BC3-25181-00	29 - 10	59C-25838-00	32 - 19	BBW-26145-00	33 - 10	BBW-28313-00	37 - 17

NUMERICAL INDEX

PART NO.	REF. NO.	PART NO.	REF. NO.	PART NO.	REF. NO.	PART NO.	REF. NO.	PART NO.	REF. NO.	PART NO.	REF. NO.
B7M-28331-00	38 - 31	26H-82131-00	44 - 4	BBW-85752-00	26 - 15	90109-05022	36 - 31	90119-06312	6 - 12	90183-05042	36 - 19
BBW-2833C-00	38 - 50	137-82131-01	44 - 2	B7M-85885-01	10 - 9	90109-06212	42 - 4	90119-06320	36 - 5		36 - 29
BBW-2833D-00	38 - 51	5EA-82151-00	44 - 9	5YU-85886-00	45 - 17	90109-06264	37 - 6		36 - 21		37 - 14
BBW-28351-00-P4	38 - 6	5JJ-82151-00	44 - 18	BBW-8591A-20	44 - 1	90109-06282	44 - 33	90149-05030	29 - 6		37 - 34
BBW-28351-00-P6	38 - 6	5JJ-82151-10	44 - 19	BC3-8592A-10	11 - 20	90109-06295	5 - 9		31 - 8		37 - 37
BBW-28356-00	19 - 21	5JJ-82151-20	44 - 21	BBW-85930-09	46 - 1	90109-08196	44 - 34	90149-05299	45 - 9		38 - 9
BBW-2835U-00-P1	37 - 33	5JJ-82151-30	44 - 20	BBW-85970-00	46 - 6		44 - 37	90149-06082	13 - 5		38 - 17
BBW-2835V-00-P1	37 - 36	5JJ-82151-60	44 - 22	BBW-85980-00	46 - 9	90109-083G4	30 - 2		39 - 4		38 - 42
BBW-2835X-00	33 - 13	5JJ-82151-80	44 - 23	BBW-86261-01	44 - 48	90109-10027	23 - 55	90149-06093	39 - 3		42 - 5
BBW-28365-00	37 - 39	BBW-821F1-00	37 - 27	BBW-86265-01	44 - 49	90109-10067	35 - 18	90149-06104	21 - 30	90183-05076	20 - 2
BBW-2836K-00	38 - 1	BBW-82310-00	45 - 4	BBW-8A310-00	45 - 8	90110-05081	26 - 4		21 - 31		22 - 4
BBW-2836L-00	38 - 26	BBW-82361-00	43 - 1	B1X-F4421-00	26 - 39	90110-05082	26 - 3		21 - 35		28 - 4
BBW-28377-00-P4	38 - 14	B7M-82370-00	45 - 3	BBW-H4740-00	21 - 40	90110-06021	2 - 13		21 - 36		37 - 8
BBW-28377-00-P6	38 - 14	1WS-82380-00	45 - 6	B74-H4770-00	28 - 2	90110-06036	17 - 30	90149-08002	19 - 3		37 - 13
BBW-2837L-00	36 - 9	2DF-82511-09	44 - 51	BMP-W000B-00	24 - 20	90110-06134	11 - 11	90149-08009	32 - 2		38 - 11
BBW-2837M-00	36 - 26	BBW-8252U-00	45 - 10	BBV-W000V-00	17 - 34	90110-06163	23 - 20	90149-08030	15 - 6		38 - 19
BBW-2837U-00	38 - 43	BC3-8252U-00	44 - 38	BBV-W003B-00	25 - 47	90110-06168	8 - 5	90151-06023	17 - 12		38 - 27
BBW-283J3-00	37 - 23	BC3-82566-00	44 - 28	BC3-W2341-00	24 - 8		8 - 12	90159-06021	37 - 12	90183-05M02	36 - 40
BBW-2845W-00	44 - 53	5PS-82576-01	44 - 41	BBW-W862A-21	44 - 47	90110-06335	26 - 21	90159-06022	37 - 26		36 - 44
59C-46153-00	23 - 23	BBW-82590-01	44 - 15	90101-08013	23 - 9	90110-06379	2 - 14	90160-05013	9 - 4		38 - 25
BC3-46241-01	23 - 50	1UA-82591-00	26 - 26		23 - 12	90110-06437	38 - 30	90164-05001	19 - 25	90183-06069	19 - 31
BBW-81410-02	39 - 1		44 - 24	90101-10046	35 - 26	90110-08132	24 - 15	90167-05079	22 - 6		19 - 37
B7M-81450-00	39 - 2	3MA-82591-00	44 - 25	90101-12060	23 - 70	90111-05002	33 - 11		22 - 8	90183-060A6	21 - 6
BBW-81815-00	15 - 14	BBW-8259E-00	44 - 52	90105-06027	2 - 3		38 - 38		36 - 13		21 - 11
4B5-81826-00	15 - 9	BBW-82917-00	34 - 37	90105-06127	19 - 48	90111-05021	36 - 6		36 - 30		21 - 19
4XV-8182A-00	15 - 13	BBW-8291R-00	43 - 13		19 - 50		36 - 22		37 - 7		28 - 5
	15 - 16	BBW-82960-00	33 - 3	90105-06181	23 - 37		36 - 41		37 - 41		37 - 22
4B5-81840-00	15 - 8	BBW-82963-00	33 - 2	90105-06230	44 - 12		36 - 45	90169-05001	37 - 18		38 - 8
4B5-81844-00	15 - 10	BBW-83210-01	45 - 16	90105-06771	46 - 4	90111-05045	20 - 4	90170-16326	16 - 20		38 - 16
1FK-81847-00	15 - 11	BBW-83306-00	38 - 44	90105-08129	19 - 30	90111-05058	44 - 54	90170-18221	17 - 23		41 - 2
3TB-81847-00	15 - 12	BC3-83371-11	45 - 14	90105-08150	28 - 14	90111-05065	38 - 53	90170-28419	24 - 7	90185-10012	35 - 37
4B5-81871-00	15 - 15	BC3-83383-00	45 - 19		28 - 19	90111-06059	44 - 40	90170-36279	17 - 22	90185-10022	11 - 28
BC3-81890-00	15 - 7	BBW-83500-01	40 - 1	90105-08182	32 - 29	90111-06064	31 - 14	90170-48003	16 - 6		35 - 23
BC3-81940-00	44 - 8	4XV-83513-00	19 - 24	90105-08M35	19 - 44	90111-06089	21 - 50	90176-06017	14 - 16		35 - 27
1ST-81950-00	44 - 44		41 - 6		19 - 46	90111-06116	23 - 45	90176-09001	2 - 12	90185-10060	35 - 19
5JJ-81950-11	44 - 46	BBW-83559-00	38 - 34	90105-10211	24 - 14	90111-06140	20 - 8	90176-10075	11 - 27	90185-24002	31 - 20
5JJ-81952-00	44 - 45	4P9-83591-00	2 - 23	90105-10220	23 - 63	90111-06191	21 - 3	90179-05003	38 - 54	90201-04325	44 - 43
BBW-81960-00	44 - 13	2PW-83912-00	34 - 35	90105-10237	31 - 15	90111-06202	11 - 33	90179-06018	32 - 28	90201-05042	27 - 12
3WP-81980-00	44 - 17	2PW-83922-00	34 - 9	90105-10283	35 - 22	90111-10007	35 - 33	90179-07652	3 - 4	90201-05045	37 - 16
4WA-81980-00	44 - 16	5VU-83930-00	43 - 10		35 - 25	90111-10026	3 - 19	90179-08442	11 - 24	90201-06032	38 - 47
2DF-82021-00	44 - 50	BBW-83959-00	43 - 7	90105-10318	23 - 68	90116-09584	2 - 8	90179-09379	3 - 8	90201-06033	7 - 14
23P-82100-01	44 - 3	BBW-83980-00	34 - 12	90105-10440	30 - 25	90119-06096	36 - 3	90179-09612	2 - 11	90201-06036	46 - 5
BBW-82114-00	37 - 30	BBW-84300-00	41 - 1	90105-12052	19 - 12		36 - 10	90179-20013	17 - 13	90201-06079	11 - 6
5SL-82119-10	44 - 10	BBW-8431U-00	46 - 13	90105-14002	29 - 14		36 - 18	90179-30006	24 - 3		11 - 16
BC3-82121-00	44 - 7	BBW-84710-00	42 - 1	90109-05021	27 - 10		36 - 27	90183-05042	21 - 2	90201-080E2	27 - 14
BBW-82128-00	44 - 5	3Y6-85130-02	21 - 44	90109-05022	21 - 9	90119-06156	41 - 7		22 - 2	90201-08103	28 - 7
BBW-8212B-00	19 - 27	59C-85131-00	45 - 1		21 - 17	90119-06209	22 - 10		36 - 4	90201-08122	28 - 15
BBW-8212C-00	19 - 32	2PW-85546-00	44 - 55		36 - 14	90119-06270	6 - 17		36 - 12		28 - 20

NUMERICAL INDEX

PART NO.	REF. NO.	PART NO.	REF. NO.	PART NO.	REF. NO.	PART NO.	REF. NO.	PART NO.	REF. NO.	PART NO.	REF. NO.
90201-087F0	19 - 36	90338-08174	19 - 22	90430-10005	34 - 44	90467-11106	9 - 14	91380-06012	44 - 11	93210-22382	12 - 11
90201-090P4	2 - 10	90338-10132	37 - 21	90445-217G3	35 - 31	90467-15001	7 - 24	91402-20012	35 - 2	93210-26001	17 - 26
90201-10035	23 - 58	90338-36004	21 - 24	90446-08002	43 - 3		9 - 17		35 - 9	93210-30611	17 - 9
	35 - 36	90387-05003	21 - 41	90450-32015	7 - 1	90467-15054	9 - 12	91702-06038	35 - 3	93210-33133	6 - 11
90201-10043	24 - 11	90387-05072	33 - 12	90450-46005	9 - 15	90468-040A0	23 - 42		35 - 10	93210-44545	17 - 17
90201-10051	35 - 35	90387-06065	7 - 13	90450-56009	10 - 18	90468-16001	27 - 17	91808-16023	2 - 4	93210-48364	12 - 9
90201-10071	11 - 29	90387-06107	20 - 5	90450-74001	14 - 4	90480-01558	26 - 19	92012-05020	44 - 29	93210-50553	23 - 2
90201-10669	11 - 25		45 - 13	90460-15126	34 - 22	90480-01559	21 - 10	92012-06010	24 - 19	93210-60426	37 - 25
90201-12034	23 - 71	90387-06130	44 - 39	90464-04005	36 - 39		21 - 18		26 - 31	93306-00106	6 - 3
90201-13015	23 - 57	90387-06141	11 - 14		36 - 43		36 - 8	92012-06012	25 - 45	93306-00713	17 - 10
90201-22018	23 - 25	90387-06150	46 - 3	90464-07018	21 - 12		36 - 25		28 - 26	93306-07208	29 - 9
90201-24017	16 - 19	90387-06161	41 - 5		21 - 21		38 - 12		28 - 28	93306-07809	31 - 3
90201-244A9	16 - 3	90387-06173	22 - 11		21 - 29		38 - 20		34 - 17	93306-205A8	18 - 9
90201-25020	31 - 21	90387-06200	20 - 6		21 - 34	90480-10334	22 - 12	92012-06014	14 - 9	93306-205B5	31 - 2
90201-25290	15 - 5	90387-06270	21 - 32		37 - 35	90480-11009	21 - 42	92012-06050	8 - 2	93306-20651	17 - 28
90201-28017	24 - 6		21 - 37		37 - 38	90480-12581	11 - 3	92012-08012	27 - 9	93306-20662	23 - 15
90202-05224	38 - 55	90387-062U9	26 - 5		38 - 41		11 - 13		27 - 15	93306-30102	16 - 21
90202-30235	24 - 4	90387-06317	11 - 4	90464-08126	19 - 52	90480-13567	24 - 17	92014-06016	11 - 8	93306-30217	17 - 33
90249-12004	32 - 27	90387-06364	20 - 7	90464-09130	19 - 51	90480-14100	37 - 24		11 - 15	93306-30427	18 - 4
90269-06001	23 - 49	90387-06372	21 - 48	90464-09M31	26 - 38	90480-15018	46 - 2	92014-06025	11 - 5	93306-90602	3 - 24
90269-06008	19 - 39		23 - 41	90464-12001	38 - 46	90480-15363	7 - 15	92014-06030	38 - 58	93315-31758	23 - 59
	21 - 5		23 - 44	90464-12013	46 - 8	90480-16301	7 - 11		38 - 61	93315-41774	23 - 60
	21 - 14		23 - 47	90464-12M58	26 - 34	90501-104F9	8 - 16	92017-06012	25 - 43	93317-32493	16 - 2
	21 - 20	90387-064H8	35 - 6	90464-14003	46 - 12	90501-110A0	16 - 14	92902-06200	11 - 9	93332-00010	23 - 27
	21 - 23		35 - 13	90464-14012	26 - 35	90501-15001	35 - 4	93101-30001	3 - 25	93332-00086	23 - 4
	21 - 26	90387-065L7	7 - 12	90464-14013	34 - 42		35 - 11	93101-35001	17 - 2	93399-99932	24 - 1
	21 - 38	90387-07006	38 - 48	90464-16006	33 - 14	90501-620A1	17 - 19	93102-12442	6 - 4	93399-99957	25 - 39
	28 - 10	90387-08128	28 - 12		33 - 19	90506-23014	35 - 30	93102-15004	17 - 32	93450-16068	3 - 17
	37 - 9		28 - 17	90464-16012	25 - 46	90506-40007	35 - 16	93102-25017	23 - 28	93450-18157	3 - 14
	37 - 32	90387-10020	35 - 34		34 - 41	90520-02016	26 - 11	93102-25064	18 - 10	93501-04011	35 - 5
	38 - 2	90387-10046	11 - 19	90464-16061	37 - 29	90520-04016	14 - 22	93102-30284	23 - 8		35 - 12
	38 - 13	90387-10100	19 - 34	90464-18246	43 - 4	90520-10015	37 - 5	93102-35023	23 - 16	93505-08030	8 - 15
	38 - 21	90387-10114	19 - 29		44 - 36	90520-10036	9 - 16	93102-42004	17 - 27	93608-60001	3 - 20
	38 - 24	90387-127W0	23 - 62	90464-20070	26 - 37	90520-20018	36 - 20	93102-44008	3 - 26	93612-16254	2 - 9
	38 - 36	90387-17011	23 - 29	90464-23001	7 - 28	90520-20019	36 - 23	93102-55004	23 - 7		2 - 22
	42 - 3	90387-20018	16 - 4	90464-25009	43 - 2	91312-04025	44 - 42	93104-41119	17 - 16	93900-00025	29 - 8
90269-06010	10 - 16	90387-22016	29 - 12	90464-25010	44 - 56	91312-05010	26 - 18	93106-28043	29 - 4	93900-00030	31 - 10
90269-06019	33 - 9	90387-22030	29 - 13	90464-28175	7 - 18	91312-05020	45 - 7	93106-40013	31 - 5	94112-15020	29 - 7
	38 - 39	90387-26001	17 - 25	90464-30010	37 - 28	91312-06016	10 - 19	93106-40027	31 - 6	94116-15024	31 - 9
90269-06083	37 - 10	90401-10020	34 - 18	90465-10098	21 - 51	91312-06020	6 - 9	93109-17071	23 - 61	94580-25058	8 - 7
90269-07014	7 - 21		34 - 19		21 - 53	91312-06025	5 - 6	93210-06422	8 - 4	94591-53134	5 - 3
	38 - 3		34 - 43		46 - 11	91312-06035	2 - 19	93210-09525	8 - 9	94701-00443	1 - 1
90269-07077	19 - 42	90401-10038	34 - 20	90467-09006	26 - 45	91312-08020	23 - 3	93210-10096	8 - 22		2 - 15
90269-08002	14 - 2	90413-06031	26 - 44	90467-090A2	22 - 17	91312-08030	24 - 13	93210-14579	8 - 11	95022-08110	12 - 5
90269-08005	38 - 28	90430-08119	2 - 6		26 - 36		25 - 38	93210-16325	13 - 10	95022-08120	12 - 6
90280-05048	3 - 23		12 - 13	90467-10008	22 - 18	91312-10060	19 - 7	93210-19123	13 - 15	95302-08600	23 - 10
90338-06018	22 - 3	90430-10004	2 - 24	90467-10038	7 - 25	91314-08040	25 - 18	93210-21006	18 - 6		23 - 13
	38 - 35	90430-10005	34 - 21	90467-110A3	26 - 33		25 - 36	93210-21190	6 - 16	95602-05200	27 - 11

NUMERICAL INDEX

PART NO.	REF. NO.	PART NO.	REF. NO.	PART NO.	REF. NO.	PART NO.	REF. NO.	PART NO.	REF. NO.	PART NO.	REF. NO.
95602-05200	44 - 30	95D37-06016	38 - 49	99530-10114	13 - 12						
95602-06200	27 - 6	95E32-06012	19 - 15	99530-14016	23 - 30						
95602-08200	27 - 5		33 - 16								
95602-10100	24 - 12		33 - 21								
95602-10200	23 - 64		34 - 46								
	23 - 69		44 - 27								
95602-12200	19 - 13	95E32-06014	46 - 7								
	23 - 72		46 - 10								
95607-05200	21 - 43	95E32-06020	7 - 4								
	21 - 45		45 - 5								
95612-08618	2 - 7	95E32-06035	12 - 3								
95612-10100	23 - 56		13 - 8								
95617-06100	34 - 8		13 - 13								
	34 - 34		14 - 17								
95702-05500	45 - 2	95E32-06050	12 - 4								
95702-06500	20 - 11	95E32-08012	2 - 5								
	38 - 45	95E32-08025	14 - 14								
95812-06012	21 - 52	95E32-08040	14 - 13								
95812-06016	19 - 18	97602-04214	34 - 13								
95812-06025	41 - 4		34 - 38								
95812-06040	19 - 19	97702-50012	21 - 4								
95812-10045	19 - 26		21 - 8								
95812-12045	19 - 8		21 - 16								
	19 - 11		36 - 7								
95827-06020	45 - 12		36 - 11								
95D32-06010	28 - 25		36 - 24								
95D32-06012	23 - 35		36 - 28								
	45 - 15		37 - 15								
	46 - 14		37 - 31								
95D32-06014	23 - 48		38 - 4								
	33 - 18		38 - 10								
	38 - 52		38 - 18								
95D32-06016	28 - 22		38 - 23								
95D32-06020	19 - 20		38 - 29								
	20 - 12		38 - 37								
	44 - 14	97702-50016	36 - 15								
95D32-06025	15 - 17		36 - 47								
	26 - 7	97702-50516	45 - 18								
95D32-06030	20 - 10	98507-05010	33 - 7								
95D32-06035	20 - 9	98507-05012	43 - 12								
95D32-08025	28 - 6	99009-12400	6 - 10								
95D32-08035	19 - 35	99009-25400	18 - 8								
95D32-10025	23 - 32	99009-30400	23 - 22								
95D32-10045	11 - 26	99009-42500	17 - 31								
95D32-10090	23 - 33	99009-62500	23 - 21								
95D32-10100	23 - 31	99480-08020	14 - 12								
95D37-06016	19 - 28	99530-10114	12 - 2								
	19 - 33		13 - 7								